

WEBEL TECHNOLOGY LIMITED

NOTICE INVITING e-TENDER

Online Tender documents are invited for Implementation of WBSWAN connectivity at 65 Government Departments for implementation of e-office in West Bengal from reputed System Integrators having sufficient experience and credentials for successful completion of “**Similar Nature**” of work in a Government Department/PSU/Autonomous Body or any reputed organization. Bidder must have adequate Service Engineer for providing on-site warranty service within the stipulated time.

1.	Tender No. & Date	WTL/PAR/SWAN/17-18/025 dated 26.10.2017
2.	Tender Version No.	1.0
3.	Brief description of material	Implementation of WBSWAN connectivity at 65 Government Departments for implementation of e-office in West Bengal.
4.	Tender Fee	Rs.6000.00 (Rupees Six thousand only)
5.	Earnest Money Deposit	Rs.500000.00 (Rupees Five lakhs only) in the form of Demand Draft from any Scheduled bank in favour of Webel Technology Limited payable at Kolkata
6.	Date of Downloading/Sale of Tender document	26.10.2017
7.	Pre-Bid Meeting date & time	03.11.2017 at 11.30 Hrs <ul style="list-style-type: none">• Only two persons for each intending bidder's organization will be allowed to attend the Pre Bid Meeting.• The person should have proper authorization in respective company Letter Head.• Only queries as per format (Section - O) reaching WTL by 01.11.2017 at 16.00 Hrs will be taken for decision.• Queries will be sent to Manager (Purchase) (wtlpurchase@gmail.com) and copy to Ms. Soma Dey (soma@wb.gov.in) /Ms. Anita Dey (wtladey@gmail.com).
8.	Bid Submission Start date & time	07.11.2017 at 14.00 Hrs
9.	Last date & time of EMD & Tender Fee submission	13.11.2017 at 11.00 Hrs
10.	Last date & time of Bid Submission	10.11.2017 at 16.00 Hrs
11.	Date & time of Technical Bid Opening	13.11.2017 at 11.30 Hrs
12.	Venue of Pre-Bid Meeting & submission of EMD & Tender Fee	WEBEL TECHNOLOGY LIMITED (A Govt. of West Bengal Undertaking) Plot - 5, Block – BP, Sector – V, Salt Lake City, Kolkata – 700091.
13.	Contact person	Mr. Arunava Saha, Contact no. 23673403-06, Ext. 212 Ms. Anita Dey, Contact no. 23673403-06, Ext. 231 Ms. Soma De, Contact no. (033) 23392277

WEBEL TECHNOLOGY LIMITED

In the event of e-filing, intending bidder may download the tender documents from the website <https://wbtenders.gov.in> directly with the help of Digital Signature Certificate. Necessary cost of tender (tender fees) may be remitted through Demand Draft issued from any Scheduled Bank in favour of “Webel Technology Limited”, payable at Kolkata and also to be documented through e-filing. Cost of Earnest Money Deposit (EMD) may be remitted through Demand Draft issued from any Scheduled Bank in favour of “Webel Technology Limited”, payable at Kolkata and also to be documented through e-filing. The original Demand Draft against tender fee & Earnest Money Deposit (EMD) should be submitted physically to the Manager (Purchase)/Manager (Finance), Webel Technology Limited, Plot – 5, Block – BP, Sector-V, Salt Lake City, Kolkata-700 091 under sealed cover on or before 11.00 Hrs of 13.11.2017.

1. Both Techno Commercial Bid and Financial Bid are to be submitted concurrently duly digitally signed in the website <https://wbtenders.gov.in>
2. Tender documents may be downloaded from website and submission of Techno Commercial Bid and Financial Bid will be done as per Time Schedule stated in Section – C of this Tender Document.
3. The Financial Bid of the prospective Bidder will be considered only if the Techno Commercial Bid of the bidder is found qualified by the Tender Committee. The decision of the ‘Tender Committee’ will be final and absolute in this respect. The list of Qualified Bidders will be displayed in the website.

WEBEL TECHNOLOGY LIMITED

CONTENTS OF THE TENDER DOCUMENT

The Tender document comprises of the following:

SECTION – A	SCOPE OF WORK
SECTION – B	DATE AND TIME SHEDULE
SECTION – C	ELIGIBILITY CRITERIA
SECTION – D	INSTRUCTION TO BIDDER
SECTION – E	TECHNO COMMERCIAL EVALUATION & AWARDDING OF CONTRACT
SECTION – F	BID FORM
SECTION – G	GUIDANCE FOR E-TENDERING
SECTION – H	BILL OF MATERIAL
SECTION – I	TECHNICAL SPECIFICATION WITH COMPLIANCE STATEMENT
SECTION – J	DETAILS OF ORDERS EXECUTED BY BIDDER
SECTION – K	FINANCIAL CAPABILITY OF BIDDER
SECTION – L	BIDDER'S DETAILS
SECTION – M	PRE-BID MEETING QUERY
SECTION – N	SUPPORT SERVICE CENTER & MANPOWER DETAILS OF BIDDER
SECTION – O	LIST OF CLIENTS OF SIMILAR ORDERS
SECTION – P	MANUFACTURER'S AUTHORIZATION FORM
SECTION – Q	PROFORMA FOR PERFORMANCE BANK GUARANTEE
SECTION - R	NIT DECLARATION

WEBEL TECHNOLOGY LIMITED

SECTION – A

SCOPE OF WORK

Job title: Implementation of WBSWAN connectivity at 65 Government Departments for implementation of e-office

ABOUT WBSWAN

West Bengal State Wide Area Network (WBSWAN) is the triple play backbone network for data, voice and video communication throughout the state of West Bengal. Over this network Intranet, Internet and various e-Governance activities of the Government of West Bengal are being carried out.

WBSWAN network provides Data, Voice & Video Communication facilities from State Head Quarters at Kolkata up to all District (DHQ), Sub Division (SDHQ) and Block Headquarters (BHQ) over dedicated leased circuits / MPLS circuits from BSNL. The District Head Quarters are connected to the State Head Quarters in Writers' Building as well as Webel Bhavan, Salt Lake over dual fiber optic links (in fail-over mode), ensuring a smooth operation in case of failure of one SHQ due to some major problem / natural disaster, etc. However P2P links are now being migrated to MPLS network of BSNL throughout West Bengal to have better performance and reliability.

Project Objective

As per the decision taken by Government of West Bengal e-office is going to be implemented at all Government offices for speedy and paperless transactions. As discussed and decided in the meeting, 65 departments have been identified for e office implementation located in 36 buildings in Kolkata.

Out of the 36 buildings, WBSWAN link exists in 16 buildings/departments which need to be augmented for handling additional bandwidth requirement for e-office usage.

New WBSWAN connectivity would be provided to other buildings for accessing e-office .

Proposed Solution

We are attaching the Schematic diagrams of the proposed Network architecture (with 3 possible Network topology) for accessing e-office server hosted at WBSDC over WBSWAN. In case of buildings where multiple departments are operational, WBSWAN link would be terminated in the most populated department and connectivity will be extended to other departments in the building/ campus through OFC/copper LAN. In other departments WBSWAN link will be terminated to an L2 switch which will be uplinked to the departmental switch(s). Setting up Departmental LAN, if necessary for e-office implementation is beyond the present scope of project, however, may be taken up separately.

For establishing WBSWAN connectivity, the bidder has to liaison with BSNL for commissioning of link. However, the payment towards link commissioning along with rental charges shall be paid by WTL/ PA&R & e Gov Dept, Govt of West Bengal.

All equipment mentioned in BOQ will have 3 years' manufacturer's warranty from OEM/ SI.

WBSWAN Integration: Supply, install & integrate with existing system of WBSWAN is in the scope of L1 bidder for access of e-office server hosted at the WBSDC.

Acceptance: After successful installation & Commissioning, installation report prepared by WTL (Webel Technology Limited), signed and sealed by appropriate authority of concerned departments.

Bill of material mentioned in the RFP is the estimated requirement.

WEBEL TECHNOLOGY LIMITED

Network Architecture to access e-Office Server hosted at WBSDC through WBSWAN Network

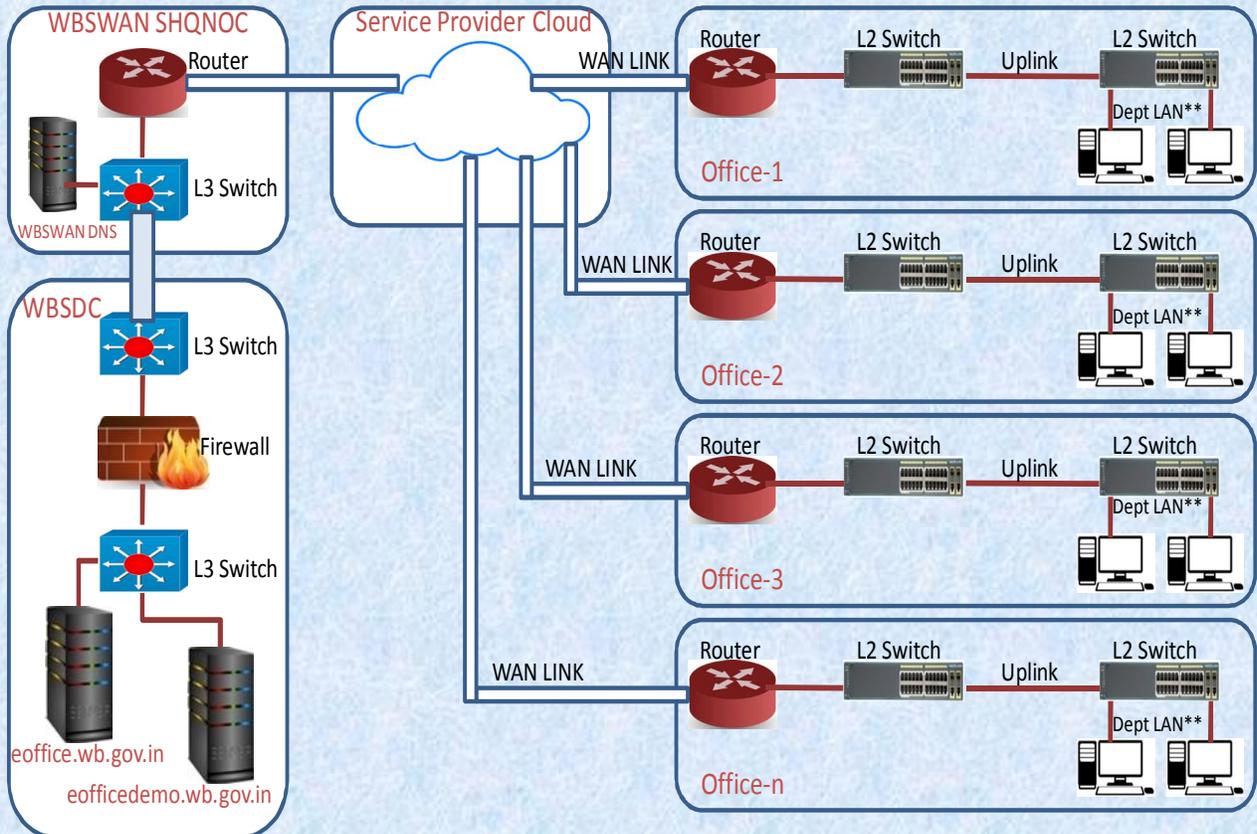
- **Proposed Network Architecture Considering Four Buildings in a Campus Area.**
- **Proposed Network Architecture Considering Four Offices in a Single Multi-storied Building.**
- **Proposed Network Architecture Considering Four Offices Situated at Different Distant Area.**



WEBEL TECHNOLOGY LIMITED

**Proposed Network Architecture
for e-Office Server Access
through WBSWAN**

Considering Four Offices Situated to Different Distant Locations.
All the four offices will be connected through separate WAN link.
The internal LAN switch will be connected to new distribution switch.



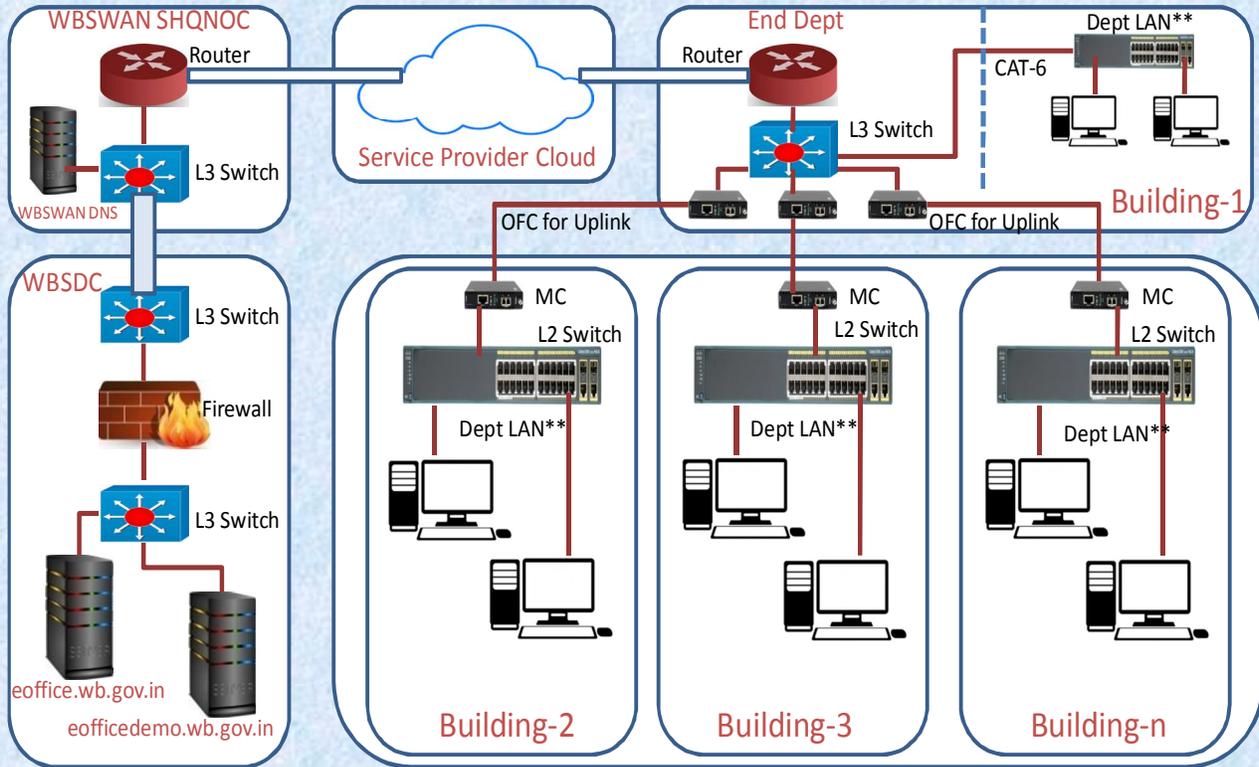
****Departmental LAN is not in the present scope of WBSWAN expansion**



WEBEL TECHNOLOGY LIMITED

**Proposed Network Architecture
for e-Office Server Access
through WBSWAN**

**Considering Four Buildings in a Campus Area
The main link will be terminated in one of the office and rest three
offices will be connected through extended LAN through OFC**



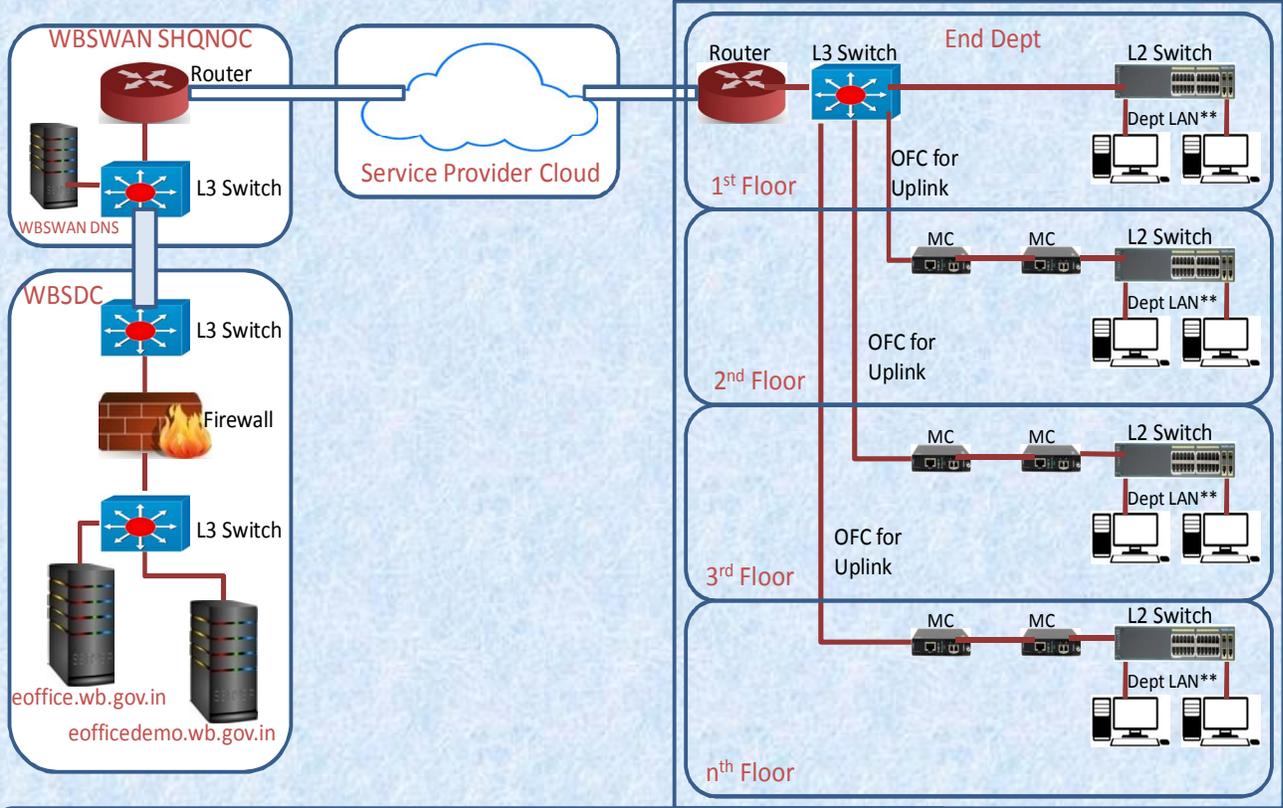
****Departmental LAN is not in the present scope of WBSWAN expansion**



WEBEL TECHNOLOGY LIMITED

Proposed Network Architecture for e-Office Server Access through WBSWAN

Considering Four Offices in a Single Multi-steroid Building. The main link will be terminated in one of the office and rest three offices will be connected through extended LAN through OFC/CAT-6.



****Departmental LAN is not in the present scope of WBSWAN expansion**



WEBEL TECHNOLOGY LIMITED

Detailed BOM for setting up of e-office infrastructure

Sl. No.	Dept. Name	Location Name	SWAN Bandwidth Proposed	Connectivity Mode	Router	L3 Switch	L2 Switch with 8 POE ports	OFC Module for Router/switch	Rack + 1 KVA online UPS	Scanner
1	Bio-Technology	Bikash Bhawan		OFC / copper LAN	0	0	1	1	1	2
2	Higher Education		45 Mbps	WAN	1	1	0	6	1	2
3	Mass Education Extension & Library Services			OFC / copper LAN	0	0	1	1	1	2
4	School Education			OFC / copper LAN	0	0	1	1	1	2
5	Sports			OFC / copper LAN	0	0	1	1	1	2
6	Women & Child Development & Social Welfare			OFC / copper LAN	0	0	1	1	1	2
7	Agricultural Marketing	Khaddya Bhawan		OFC LAN	0	0	1	1	1	2
8	Consumers Affairs			OFC LAN	0	0	1	1	1	2
9	Co-operation		34 Mbps		1	1	0	4	1	2
10	Food & Supplies		45 Mbps	Upgrade from existing 34 Mbps	0	0	0	1	0	2
11	Agriculture	Nabanna		OFC / Copper LAN	0	0	1	1	1	2
12	Civil Defence			OFC LAN	0	0	1	1	1	2
13	Disaster Management			OFC / Copper LAN	0	0	1	1	1	2
14	Finance	Nabanna	100 Mbps		0	0	1	1	1	2
15	Hill Affairs			OFC / Copper LAN	0	0	1	1	1	2
16	Home			OFC / Copper LAN	0	0	1	1	1	2
16	Information & Cultural Affairs			OFC / Copper LAN	0	0	1	1	1	2
17	Minority Affairs & Madrasah Education			OFC / Copper LAN	0	0	1	1	1	2
18	Parliamentary Affairs			OFC / Copper LAN	0	0	1	1	1	2
19	Personal & Administrative Reforms			OFC / Copper LAN	0	0	1	1	1	2
20	Public Works		OFC / Copper LAN	0	1	1	12	1	2	
21	Housing	New Secretariat Building		OFC / Copper LAN	0	0	1	1	1	2
22	Labour		45 Mbps	WAN	1	1	0	6	1	2

WEBEL TECHNOLOGY LIMITED

23	Public Health Engineering			OFC / Copper LAN	0	0	1	1	1	2
24	Tourism			OFC / Copper LAN	0	0	1	1	1	2
25	Water Resources Investigation & Development			OFC / Copper LAN	0	0	1	1	1	2
26	Youth Services			OFC / Copper LAN	0	0	1	1	1	2
27	Panchayat & R.D	Joint Administrative Building , Salt lake	45 Mbps	Upgrade from existing 34 Mbps	0	0	0	0	0	2
28	Planning		34 Mbps	WAN	1	1	0	3	1	2
29	Statistics & Programme Implementation			OFC / Copper LAN	0	0	1	1	1	2
30	Commerce & Industries	Manjusha Building,Camac Street	45 Mbps	Upgrade from existing 34 Mbps	0	1	0	2	1	2
31	Information Technology / e - Gov			OFC / Copper LAN	0	0	1	1	1	2
32	Food Processing Industries & Horticulture	Mayukh Bhawan	10 Mbps	WAN	1	1	0	2	1	2
33	Sundarban Affairs			OFC / Copper LAN	0	0	1	1	1	2
34	Judicial	Writer's Building	45 Mbps	Upgrade from existing 34 Mbps	0	1	0	2	1	2
35	Law			OFC / Copper LAN	0	0	1	1	1	2
36	Governor's(House hold)	Raj Bhawan	10 Mbps	WAN	1	1	0	2	1	2
37	Governor's Secretariat			OFC LAN	0	0	1	1	1	2
38	Animal Resources Development	PRANI SAMPAD BHAVAN	10 Mbps	upgrade from existing 2 Mbps	0	0	1	0	1	2
39	Backward Classes Welfare	Administrative Building,SDO Bidhanagar,DJ-4,Saltlake,Sector -II,Kolkata-700091./ kankurgachi	10 Mbps	Existing link	0	0	0	0	0	2
40	Fisheries	IT Tower ("7th & 8th Floor") 31-GN Block,Sector-V ,Salt Lake	10 Mbps	WAN	1	0	1	0	1	2
41	Correctional Administration	Jessop Building	10 Mbps	WAN	1	0	1	0	1	2
42	Environment	Paribesh Bhawan	10 Mbps	WAN	1	0	1	0	1	2

WEBEL TECHNOLOGY LIMITED

43	Excise	32 Bepin Behari Ganguly Street, Bow Bazaar, Kolkata	10 Mbps	Existing link	0	0	0	0	0	2
44	Fire & Emergency Services	13D, Mirza Ghalib Street, Kolkata, West Bengal 700016	10 Mbps	WAN	1	0	1	0	1	2
45	Forests	Aranya Bhawan	10 Mbps	WAN	1	0	1	0	1	2
46	Health & Family Welfare	Swastya Bhawan	Existing link	OFC LAN	0	0	1	0	1	2
47	Irrigation & Waterways	Jal Sampad Bhawan	34 Mbps	Existing link	0	0	0	0	0	2
48	Kolkata Pay & Accounts Office(Under Finance Deptt.) I & II	Phears lane	10 Mbps	upgrade from existing 2 Mbps	1	1	1	3	2	2
49	Land & Land Reforms	Survey Building, Alipore	34 Mbps	upgrade from existing 2 Mbps	0	0	0	0	0	2
50	Micro, Small & Medium Enterprises & Textile	Hemanta Bhawan, BBD Bag	10 Mbps	upgrade from existing 2 Mbps	0	0	1	0	1	2
51	Municipal Affairs	Poura - Prasasan Bhavan, Block DD 1, Sector 1, Salt Lake City	34 Mbps	WAN	1	0	1	0	1	2
52	North Bengal Development(Kolkata)	Mitra Building' , 8, Lyons Range ,Kolkata - 1	4 Mbps	WAN	1	0	1	0	1	2
53	North Bengal Development(Siliguri)	Uttar Kanya (Siliguri)	8 Mbps	upgrade from existing 4 Mbps	0	0	0	0	0	2
54	Paschimanchal Unnayan Affairs	Poura Bhavan, 5th Floor, FD-415A, Bidhan Nagar	10 Mbps	WAN	1	0	1	0	1	2
55	Power & Non-conventional Energy Services	Bidyut Unnayan Bhavan	10 Mbps	WAN	1	0	1	0	1	2
56	Public Enterprise & Industrial Reconstruction	5, Council House Street, 3rd Floor, Kolkata, 700001	10 Mbps	WAN	1	0	1	0	1	2

WEBEL TECHNOLOGY LIMITED

57	Refugee, Relief & Rehabilitation	16A, Brabourne Road, 3rd floor Gujrati Education Society Building	10 Mbps	WAN	1	0	1	0	1	2
58	Science & Technology	Vigyan Chetna Bhawan, Salt Lake	34 Mbps	Existing link	0	0	0	0	0	2
59	Self Help Group & Self Employment	East India House, 20B, Abdul Hamid Street, 1st Floor, Kolkata	10 Mbps	WAN	1	0	1	0	1	2
60	Sericulture	45 Ganesh Chandra Avenue, 2nd Floor, Kolkata - 700013	4Mbps	WAN	1	0	1	0	1	2
61	Technical Education & Training	Karigori Bhawan, New Town	34 Mbps	Existing link	0	0	0	0	0	2
62	Transport	Paribahan Bhavan, 12, R.N. Mukherjee Road, Kolkata 700001	10 Mbps	Existing link	0	0	0	0	0	2
63	Tribal Development	Sidhu Kanu Bhawan, KB-18, Sector-III, Bidhannagar	10 Mbps	WAN	1	0	1	0	1	2
64	Urban Development	Nagarayan Bhawan, Salt lake	34 Mbps	upgrade from existing 2 Mbps	0	0	1	0	1	2
TOTAL					21	10	47	70	56	130

Note :

BSNL Bandwidth

- 1 Bandwidth cost for new connectivity is estimated cost and includes one time installation and one year rental charge. However, billing shall be done at actuals.
- 2 One time implementation cost payable to BSNL by WTL varies as per BSNL infrastructure available at respective site. The proposed bandwidth cost may vary after feasibility survey by BSNL. Payment to be made to BSNL on actual.

Extension of LAN

- 1 In case of buildings where multiple departments are operational, WAN link is terminated in the most populated department and connectivity is extended to other departments in the building/ campus through OFC/copper LAN. In other departments WBSWAN link will be terminated to an L2 switch which will be uplinked to the departmental switch(s).
- 2 Setting up Departmental LAN, if necessary for e office implementation is beyond the present scope of project, however, may be taken up separately.
- 3 Cost of LAN cabling up to the departmental switch is average estimated cost, shall be billed on actuals depending on actual materials used
- 4 All equipment will have 3 years' manufacturer's warranty from OEM/ SI

WEBEL TECHNOLOGY LIMITED

Estimated BOQ For LAN (OFC/Cat 6) Connectivity for extension of WBSWAN up to Departmental LAN

S. No.	Dept. Name	Location Name	SWAN Bandwidth Proposed	Connectivity Mode	OFC LAN							Cat 6 LAN						
					6 core SM OFC	12 port LIU	6 port LIU	LC connector	LC-LC patch cord	Termination box	Pigtail with connector	Cat 6 cable	I/o with back box	RJ 45 connector	Cat6 Patch cord 2 mtr	Cat6 Patch cord 1 mtr	patch panel	
1	Bio-Technology	Bikash Bhawan		OFC / copper LAN	250	0	0	0	0	1	1	1	4	8	4	4	1	
2	Higher Education		45 Mbps	WAN	0	1	0	12	12	0	0	1	4	8	4	4	1	
3	Mass Education Extension & Library Services			OFC / copper LAN	250	0	0	0	0	1	1	1	4	8	4	4	1	
4	School Education			OFC / copper LAN	250	0	0	0	0	1	1	1	4	8	4	4	1	
5	Sports			OFC / copper LAN	250	0	0	0	0	1	1	1	4	8	4	4	1	
6	Women & Child Development & Social Welfare			OFC / copper LAN	250	0	0	0	0	1	1	1	4	8	4	4	1	
7	Agricultural Marketing	Khaddya Bhawan		OFC LAN	250	0	0	0	0	1	1	1	4	8	4	4	1	
8	Consumers Affairs			OFC LAN	250	0	0	0	0	1	1	1	4	8	4	4	1	
9	Co-operation		34 Mbps		0	0	1	6	6	0	0	1	4	8	4	4	1	
10	Food & Supplies		45 Mbps	Upgrade from existing 34 Mbps	0	0	0	0	0	0	0	1	4	8	4	4	1	
11	Agriculture	Nabanna		OFC / Copper LAN	250	0	0	0	0	1	1	1	4	8	4	4	1	
12	Civil Defence			OFC LAN	250	0	0	0	0	1	1	1	4	8	4	4	1	
13	Disaster Management			OFC / Copper LAN	250	0	0	0	0	1	1	1	4	8	4	4	1	
14	Finance	Nabanna		OFC / Copper LAN	250	0	0	0	0	1	1	1	4	8	4	4	1	
15	Hill Affairs			OFC / Copper LAN	250	0	0	0	0	1	1	1	4	8	4	4	1	
16	Home			OFC / Copper LAN	250	0	0	0	0	1	1	1	4	8	4	4	1	
17	Information & Cultural Affairs			OFC / Copper LAN	250	0	0	0	0	1	1	1	4	8	4	4	1	
18	Minority Affairs & Madrasah Education			OFC / Copper LAN	250	0	0	0	0	1	1	1	4	8	4	4	1	
19	Parliamentary Affairs			OFC / Copper LAN	250	0	0	0	0	1	1	1	4	8	4	4	1	

WEBEL TECHNOLOGY LIMITED

20	Personal & Administrative Reforms		OFC / Copper LAN	250	0	0	0	0	1	1	1	4	8	4	4	1
21	Public Works	100 Mbps	OFC / Copper LAN	0	2	0	24	24	0	0	1	4	8	4	4	1
22	Housing		OFC / Copper LAN	250	0	0	0	0	1	1	1	4	8	4	4	1
23	Labour	45 Mbps	WAN	0	1	0	12	12	0	0	1	4	8	4	4	1
24	Public Health Engineering		OFC / Copper LAN	250	0	0	0	0	1	1	1	4	8	4	4	1
25	Tourism		OFC / Copper LAN	250	0	0	0	0	1	1	1	4	8	4	4	1
26	Water Resources Investigation & Development		OFC / Copper LAN	250	0	0	0	0	1	1	1	4	8	4	4	1
27	Youth Services		OFC / Copper LAN	250	0	0	0	0	1	1	1	4	8	4	4	1
28	Panchayat & R.D	45 Mbps	Upgrade from existing 34 Mbps	0	0	0	0	0	0	0	1	4	8	4	4	1
29	Planning	34 Mbps	WAN	0	0	1	6	6	0	0	1	4	8	4	4	1
30	Statistics & Programme Implementation		OFC / Copper LAN	250	0	0	0	0	1	1	1	4	8	4	4	1
31	Commerce & Industries	45 Mbps	Upgrade from existing 34 Mbps	0	0	1	6	6	0	0	1	4	8	4	4	1
32	Information Technology / e-Gov		OFC / Copper LAN	250	0	0	0	0	1	1	1	4	8	4	4	1
33	Food Processing Industries & Horticulture	10 Mbps	WAN	0	0	1	6	6	0	0	1	4	8	4	4	1
34	Sundarban Affairs		OFC / Copper LAN	250	0	0	0	0	1	1	1	4	8	4	4	1
35	Judicial	45 Mbps	Upgrade from existing 34 Mbps	250	0	1	6	6	1	1	1	4	8	4	4	1
36	Law		OFC / Copper LAN	250	0	1	6	6	1	1	1	4	8	4	4	1
37	Governor's (Household)	10 Mbps	WAN	250	0	1	6	6	1	1	1	4	8	4	4	1
38	Governor's Secretariat		OFC LAN	250	0	0	0	0	1	1	1	4	8	4	4	1
39	Animal Resources Development	10 Mbps	upgrade from existing 2 Mbps	0	0	0	0	0	0	0	1	4	8	4	4	1

WEBEL TECHNOLOGY LIMITED

40	Backward Classes Welfare	Administrative Building, SDO Bidhanagar, DJ-4, Saltlake, Sector-II, Kolkata-700091. / kankurgachi	10 Mbps	Existing link	0	0	0	0	0	0	0	1	4	8	4	4	1
41	Fisheries	IT Tower ("7th & 8th Floor") 31-GN Block, Sector-V, Salt Lake	10 Mbps	WAN	0	0	0	0	0	0	0	1	4	8	4	4	1
42	Correctional Administration	Jessop Building	10 Mbps	WAN	0	0	0	0	0	0	0	1	4	8	4	4	1
43	Environment	Paribesh Bhawan	10 Mbps	WAN	0	0	0	0	0	0	0	1	4	8	4	4	1
44	Excise	32 Bepin Behari Ganguly Street, Bow Bazaar, Kolkata	10 Mbps	Existing link	0	0	0	0	0	0	0	1	4	8	4	4	1
45	Fire & Emergency Services	13D, Mirza Ghalib Street, Kolkata, West Bengal 700016	10 Mbps	WAN	0	0	0	0	0	0	0	1	4	8	4	4	1
46	Forests	Aranya Bhawan	10 Mbps	WAN	0	0	0	0	0	0	0	1	4	8	4	4	1
47	Health & Family Welfare	Swastya Bhawan	Existing link	OFC LAN	250	0	1	6	6	1	1	1	4	8	4	4	1
48	Irrigation & Waterways	Jal Sampad Bhawan	34 Mbps	Existing link	0	0	0	0	0	0	0	1	4	8	4	4	1
49	Kolkata Pay & Accounts Office (Under Finance Deptt.) I & II	Phears lane	10 Mbps	upgrade from existing 2 Mbps	250	0	1	6	6	1	1	1	4	8	4	4	1
50	Land & Land Reforms	Survey Building, Alipore	34 Mbps	upgrade from existing 2 Mbps	0	0	0	0	0	0	0	1	4	8	4	4	1
51	Micro, Small & Medium Enterprises & Textile	Hemanta Bhawan, BBD Bag	10 Mbps	upgrade from existing 2 Mbps	0	0	0	0	0	0	0	1	4	8	4	4	1

WEBEL TECHNOLOGY LIMITED

52	Municipal Affairs	Poura - Prasasan Bhavan, Block DD 1, Sector 1, Salt Lake City	34 Mbps	WAN	0	0	0	0	0	0	0	1	4	8	4	4	1
53	North Bengal Development(Kolkata)	Mitra Building' , 8, Lyons Range ,Kolkata - 1	4 Mbps	WAN	0	0	0	0	0	0	0	1	4	8	4	4	1
54	North Bengal Development(Siliguri)	Uttar Kanya (Siliguri)	8 Mbps	upgrade from existing 4 Mbps	0	0	0	0	0	0	0	1	4	8	4	4	1
55	Paschimanchal Unnayan Affairs	Poura Bhavan, 5th Floor, FD-415A, Bidhan Nagar	10 Mbps	WAN	0	0	0	0	0	0	0	1	4	8	4	4	1
56	Power & Non-conventional Energy Services	Bidyut Unnayan Bhavan	10 Mbps	WAN	0	0	0	0	0	0	0	1	4	8	4	4	1
57	Public Enterprise & Industrial Reconstruction	5, Council House Street, 3rd Floor, Kolkata, 700001	10 Mbps	WAN	0	0	0	0	0	0	0	1	4	8	4	4	1
58	Refugee, Relief & Rehabilitation	16A, Brabourne Road, 3rd floor Gujrati Education Society Building	10 Mbps	WAN	0	0	0	0	0	0	0	1	4	8	4	4	1
59	Science & Technology	Vigyan Chetna Bhawan, Salt Lake	34 Mbps	Existing link	0	0	0	0	0	0	0	1	4	8	4	4	1
60	Self Help Group & Self Employment	East India House, 20B, Abdul Hamid Street, 1st Floor, Kolkata	10 Mbps	WAN	0	0	0	0	0	0	0	1	4	8	4	4	1
61	Sericulture	45 Ganesh Chandra Avenue, 2nd Floor, Kolkata - 700013	4Mbps	WAN	0	0	0	0	0	0	0	1	4	8	4	4	1
62	Technical Education & Training	Karigori Bhawan, New Town	34 Mbps	Existing link	0	0	0	0	0	0	0	1	4	8	4	4	1

WEBEL TECHNOLOGY LIMITED

63	Transport	Paribahan Bhavan, 12, R.N. Mukherjee Road, Kolkata 700001	10 Mbps	Existing link	0	0	0	0	0	0	0	1	4	8	4	4	1
64	Tribal Development	Sidhu Kanu Bhawan, KB-18, Sector-III, Bidhannagar	10 Mbps	WAN	0	0	0	0	0	0	0	1	4	8	4	4	1
65	Urban Development	Nagarayan Bhawan, Salt lake	34 Mbps	upgrade from existing 2 Mbps	0	0	0	0	0	0	0	1	4	8	4	4	1

7750 4 9 102 102 31 31 65 260 520 260 260 65

WEBEL TECHNOLOGY LIMITED

SECTION – B

ELIGIBILITY CRITERIA

1. The bidder must be a company registered under Companies Act, 1956/2013 or Partnership or LLP or OPC or Proprietary Firm. Documentary evidence to be submitted.
2. The bidder should have their presence in Kolkata with own office. Valid proof should be submitted along with the bid.
3. The bidder should have valid GST Registration Number & PAN. Bidder shall have to submit photocopy of the documents.
4. The bidder shall have execute “Similar Nature” of single order an amount not less than Rs.80.00 Lakhs in last three financial years (considering FY - 2014-15, 2015-16 & 2016-17) in Government Department/PSU/Autonomous Body any reputed organization. References order copy for the project to be provided.

Or

The bidder shall have execute “Similar Nature” of three orders an amount not less than Rs.120.00 Lakhs in total in last three financial years (considering FY – 2014-15, 2015-16 & 2016-17) in Government Department/PSU/Autonomous Body/Any reputed organization. References order copy for the project to be provided.

5. Bidder should have local call center number. Call Center details with number & detailed escalation matrix to be submitted.
6. The bidder should have an annual turnover of not less than Rs.14.00 Crore each in the three financial years (FY – 2014-15, 2015-16 & 2016-17). Bidder shall have to submit photocopy of Audited Accounts in support of their claim.
7. Bidder should submit Earnest Money Deposit (EMD) of Rs. 5,00,000.00 (Rupees Five Lakhs only) in the form of Demand Draft from any Scheduled Bank in favour of Webel Technology Limited payable at Kolkata.
8. Bidder should submit Tender Fee of of Rs. 6,000.00 (Rupees Six thousand only) in the form of Demand Draft from any Scheduled Bank in favour of Webel Technology Limited payable at Kolkata.
9. Manufacturer’s tender specific authorizations for UPS, Rack, Switch, Router & All Passive Components must be submitted as per format enclosed (Section - P).
10. The bidder shall have Quality Certificate (ISO 9001:2008). Copy of valid Certificate to be submitted.
11. The Bidder must have Support Service Center with manpower in Kolkata so that any call reported is attended within the response time. The detailed Support Service with manpower for bidder should be submitted as per format (Section –N)
12. The bidder shall submit Bid Form (Section – F) duly signed by the authorized signatory of the company as per the format enclosed. Deviation in format may not be accepted.
13. The bidder shall not have been blacklisted by any State/Central Government or PSU Organization or bilateral/multilateral funding agencies for breach of ethical conduct or fraudulent practices as on date of submission of the proposal. Declaration on bidder’s letter head to be submitted.

WEBEL TECHNOLOGY LIMITED

SECTION – C

DATE AND TIME SCHEDULE

Sl. No.	Particulars	Date & Time
1	Date of uploading of N.I.T. & other Documents (online) (Publishing Date)	26.10.2017
2	Documents download/sale start date (Online)	26.10.2017
3	Last Date and time of sending the queries (Offline)	01.11.2017 at 16.00 hrs
4	Pre Bid Meeting at WTL Office (Off Line)	03.11.2017 at 11.30 hrs
5	Corrigendum, if any will be published (On Line)	-
6	Bid Submission start date & time (On line)	07.11.2017 at 14.00 hrs
7	Last Date & time of submission of original Demand Draft/Pay Order for cost of Earnest Money Deposit (Off line)	13.11.2017 at 11.00 hrs
8	Last Date & time of submission of original Demand Draft/Pay Order for Tender Fee	13.11.2017 at 11.00 hrs
9	Bid Submission closing date & time (On line)	10.11.2017 at 16.00 hrs
10	Bid opening date & time for Technical Proposals (Online)	13.11.2017 at 12.00 hrs
11	Date of uploading the final list of Technically Qualified Bidder (online) after disposal of appeals, if any	-
12	Date for opening of Financial Bid (Online)	-

WEBEL TECHNOLOGY LIMITED

SECTION – D

INSTRUCTION TO BIDDER

1. DEFINITIONS

In this document, the following terms shall have following respective meanings:

“**Acceptance Test Document**” means a document, which defines procedures for testing the functioning of installed system. The document will be finalized with the contractor within 7 days of issuance of the Letter of Award/Confirm Work Order.

“**Agreement**” means the Agreement to be signed between the successful bidder and WTL including all attachments, appendices, all documents incorporated by reference thereto together with any subsequent modifications, the RFP, the bid offer, the acceptance and all related correspondences, clarifications, presentations.

“**Bidder**” means any firm offering the solution(s), service(s) and /or materials required in the RFP. The word Bidder when used in the pre award period shall be synonymous with Bidder, and when used after award of the Contract shall mean the successful Bidder with whom WTL signs the agreement for supply, install, commission and render services for the systems.

“**Contract**” is used synonymously with Agreement.

“**Contract Price**” means the price to be paid to the Contractor for providing the Solution, in accordance with the payment terms.

“**Contractor**” means the Bidder whose bid to perform the Contract has been accepted by Tender Committee and is named as such in the Letter of Award.

“**Default Notice**” shall mean the written notice of Default of the Agreement issued by one Party to the other.

“**Installation**” shall mean Implementation of WBSWAN connectivity at 65 Government Departments for implementation of e-office.

“**Fraudulent Practice**” means a misrepresentation of facts in order to influence a procurement process or the execution of a Contract and includes collusive practice among Bidders (prior to or after Bid submission) designed to establish Bid prices at artificial noncompetitive levels and to deprive the benefits of free and open competition.

“**Good Industry Practice**” shall mean the exercise of that degree of skill, diligence and prudence which would reasonably and ordinarily be expected from a reasonably skilled and experienced Operator engaged in the same type of undertaking under the same or similar circumstances.

“**Government**” / “**Gov. of W. Bengal**” means the Government of West Bengal.

“**GoI**” shall stand for the Government of India.

“**GoWB**” means Government of West Bengal

“**WTL**” means Webel Technology Limited a Gov. of W. Bengal undertaking.

“**Personnel**” means persons hired by the Bidder as employees and assigned to the performance of the Infrastructure Solution or any part thereof.

WEBEL TECHNOLOGY LIMITED

“Project” Implementation of WBSWAN connectivity at 65 Government Departments for implementation of e-office.

“Project Plan” means the document to be developed by the Contractor and approved by WTL, based on the requirements of the Contract and the Preliminary Project Plan included in the Contractor’s bid. For the sake of clarity, the Agreed and Finalised Project Plan” refers to the version of the Project Plan submitted by the contractor after receiving the letter of Award and the same approved by WTL. The project plan may be changed/ modified during the course of the project. Should the Project Plan conflict with the provisions of the Contract in any way, the relevant provisions of the Contract, including any amendments, shall prevail.

“Services” means the work to be performed by the Bidder pursuant to this Contract, as described in the detailed Scope of Work.

“Similar Nature” includes Implementation of WBSWAN connectivity at 65 Government Departments for implementation of e-office.

“Interest rate” means “364 days Government of India (GoI) Treasury Bills” rate.

“Law” shall mean any Act, notification, bye law, rules and regulations, directive, ordinance, order or instruction having the force of law enacted or issued by the Central Government and/or the Government of West Bengal or any other Government or regulatory authority or political subdivision of government agency.

“LOI” means issuing of Letter of Intent shall constitute the intention of the WTL to place the Purchase Order with the successful bidder.

“Operator” means the company providing the services under Agreement.

“Period of Agreement” means 3 years from the date of Final acceptance of the Project.

“Requirements” shall mean and include schedules, details, description, statement of technical data, performance characteristics, standards (Indian as well as International) as applicable and specified in the Contract.

“Service” means provision of Contracted service viz., operation, maintenance and associated services for DEPLOYED SYSTEMS as per Section titled “Scope of Work”

“Termination Notice” means the written notice of termination of the Agreement issued by WTL.

“Uptime” means the time period when specified services are available with specified technical and service standards as mentioned in section titled WARRANTY SUPPORT” **“%Uptime”** means ratio of 'up time' (in minutes) as mentioned in section titled “Warranty support”

“Service Down Time” (SDT) means the time period when specified services with specified technical and operational requirements as mentioned in section titled “WARRANTY SUPPORT”” are not available to Gov. of W. Bengal and its user departments and organizations.

2. PRE BID MEETING

Pre Bid Meeting will be held on 03.11.2017 at 11.30 hrs at premises of WTL. Bidder can send their queries as per format (Section - M) to Manager (Purchase) (wtlpurchase@gmail.com) and copy to Ms. Soma Dey (soma@wb.gov.in) / Ms. Anita Dey (wtladety@gmail.com). Only the queries received within the stipulated date prior to the Pre Bid Meeting will be answered. The entrance to the Pre Bid Meeting will be limited to two persons per bidder and carrying valid authorization letter on official letter head bearing company seal.

3. COST OF BIDDING

WEBEL TECHNOLOGY LIMITED

The bidder shall bear all costs associated with the preparation and submission of the bid and WTL will in no case be responsible for those costs regardless of the conduct or outcome of the bidding process.

4. BID DOCUMENT

Bidder is expected to examine all instructions, forms, terms and requirements in the bid document. The invitation to bid together with all its attachments thereto shall be considered to be read, understood and accepted by the bidder unless deviations are specifically stated in the serials by the bidder. Failure to furnish all information required by the bid document or a bid not substantially responsive to the bid document in every respect may result of the bid.

5. AMENDMENT OF BID DOCUMENT

At any time prior to the deadline for submission of proposals, WTL reserves the right to add/modify/delete any portion of this document by issuance of a Corrigendum, which would be published on the website and will also be made available to all the Bidders who have been issued the tender document. The Corrigendum shall be binding on all bidders and will form part of the bid documents.

6. MODIFICATION AND WITHDRAWAL OF BIDS

The bidder cannot modify or withdraw its bid after submission.

7. LANGUAGE OF BID & CORRESPONDENCE

The proposal will be prepared by the Bidder in English language only. All the documents relating to the proposal (including brochures) supplied by the firm should also be in English, and the correspondence between the Bidder & WTL will be in English language only. The correspondence by fax/E-mail must be subsequently confirmed by a duly signed formal copy.

8. BIDDER'S SOLUTION

The bidders are requested to study the Bill of Material supplied with this document carefully. While working out the solution the bidder has to work with the broad minimum specification provided in the tender documents, conforming to the model, make and Part number (wherever provided). While submitting the bid the bidder has to detail out all components needed to complete the system BOM. The bidder is required to quote for each item retaining all major components/sub system detailed and specified. As the contractor will be responsible for smooth functioning of the system, availability of spares during the tenure of the warranty period have to be taken care of by the contractor to maintain the guaranteed uptime.

9. EARNEST MONEY DEPOSIT (EMD)

The firm shall furnish an EMD of Rs.5,00,000.00 (Rupees Five lakhs only) in the form of a demand draft from a Scheduled Bank payable at Kolkata and in favour of Webel Technology Limited. Any bid not accompanied with the EMD shall be rejected. The validity of EMD instrument will be initially 3 months, have to extend, if required.

10. FORFEITURE OF EMD

EMD made by Bidder may be forfeited under the following conditions:

If Bidder withdraws the proposal before the expiry of validity period.

During the evaluation process, if a Bidder indulges in any such activity as would jeopardize the process, the decision of WTL regarding forfeiture of EMD shall be final and shall not be called upon question under any circumstances.

If Bidder violates any of the provisions of the terms and conditions of the proposal.

In the case of a successful Bidder, if Bidder fails to:

- a) Accept the work order along with the terms and conditions.
- b) Furnish performance security.

WEBEL TECHNOLOGY LIMITED

- c) Violates any of the work conditions of this proposal or indulges in any such activities as would jeopardize the work.
- d) Submitting false/misleading information/declaration/documents/proof/etc.

The decision of WTL regarding forfeiture of EMD shall be final and shall not be called upon to question under any circumstances, besides, forfeiture of EMD even the Bidder will be deferred from participating in any job for a period of one year.

11. FORMS AND FORMATS

The various inputs for the Techno Commercial as Financial Bids are to be submitted in the format specified. The bidder shall use the form, wherever specified, to provide relevant information. If form does not provide space for any required information, space at the end of the form or additional sheets shall be used to convey the said information. For all other cases, the bidder shall design a form to hold the required information.

12. LACK OF INFORMATION TO BIDDER

The bidder shall be deemed to have carefully examined the Bid document to his entire satisfaction. Any lack of information shall not relieve the bidder of his responsibility to fulfill his obligation under the bid. If bidder has any queries relating to bid document then he can send the queries before the Pre Bid Meeting.

13. CONTRACT EXECUTION

On receipt of the Letter of Award the contractor should submit a Performance Bank Guarantee (PBG) equivalent to 10% of the total contract value within three weeks from the date of receipt of Letter of Award/Order. The PBG should be valid for six month more than the warranty period. All delivery of the material will have to be completed within 45 days from the date of acceptance of contract and the contractor has to ensure all activities leading to the commissioning of the contract to be completed within 90 days from the date of award. Subsequent to the award of contract, the contractor will have to arrange for the requisite material as per BOM.

14. TIME SCHEDULE FOR DELIVERY & INSTALLATION

The total delivery, installation & commissioning will have to be completed within 4-6 weeks from the date of Order.

15. LIQUIDATED DAMAGE

The job includes the supply and installation of materials mentioned in the tender document. In the event of failure to meet the job completion in stipulated date/time liquidated damage may be imposed on the contractor for sum not less than 0.5% of the contract value for undelivered/installed items, each week or part thereof, subject to a ceiling of 10% of the total contract value (including all taxes & duties and other charges). In the event of LD exceeds 10% of the order value, WTL reserves the right to terminate the contract and WTL will get the job completed by any other competent party. The difference of cost incurred by WTL will be recovered from the contractor and PBG will be invoked.

16. LIABILITY

In case of a default on bidder's part or other liability, WTL shall be entitled to recover damages from the Contractor. In each such instance, regardless of the basis on which WTL is entitled to claim damages from the Contractor (including fundamental breach, negligence, misrepresentation, or other contract or tort claim), Contractor shall be liable for no more than:

- Payment referred to in the Patents and Copyrights clause.
- Liability for bodily injury (including death) or damage to real property and tangible personal property limited to that cause by the Contractor's negligence.
- As to any other actual damage arising in any situation involving nonperformance by Contractor pursuant to or in any way related to the subject of this Agreement, the charge paid by WTL for the individual product or Service that is the subject of the Claim. However, the contractor shall not be liable for

WEBEL TECHNOLOGY LIMITED

- For any indirect, consequential loss or damage, lost profits, third party loss or damage to property or loss of or damage to data.

For any direct loss or damage that exceeds the total payment for Contract Price made or expected to be made to the Contractor hereunder.

17. PATENTS & COPYRIGHT

If a third party claims that a product delivered by the Contractor to WTL infringes that party's patent or copyright, the Contractor shall defend WTL against that claim at Contractor's expense and pay all costs, damages, and attorney's fees that a court finally awards or that are included in a settlement approved by the Contractor, provided that WTL.

- Promptly notifies Contractor in writing of the claim
- Allows Contractor to control and co-operate with Contractor in the defense and any related settlement negotiations.

Remedies: If such a claim is made or appears likely to be made, WTL would permit Contractor to enable WTL to continue to use the product, or to modify it, or replace it with one that is at least functionally equivalent. If Contractor determines that none of these alternatives is reasonably available, WTL agrees to return the product to Contractor on Contractor's written request. Contractor will then give WTL a credit equal to for a machine. WTL's net book value (provided WTL has followed generally accepted accounting principles for a generally available software product produced by Contractor (Program) the amount paid by WTL or 12 months charges (whichever is lesser) and for materials the amount paid by WTL for the materials. These will be Contractor's entire obligation regarding any claim of infringement.

18. SUSPENSION OF WORK

WTL shall have the power at any time and from time to time by notice to the Contractor to delay or suspend the progress of the work or any part of the work due to any other adequate reasons and on receipt of such notice the contractor shall forthwith suspend further progress of the work until further notice from WTL. The Contractor shall recommence work immediately after receiving a notice to do so from WTL. The whole or any part of the time lost for such delay or suspension shall, if WTL in its absolute discretion thinks fit, but not otherwise, be added to the time allowed for completion.

19. TERMS OF PAYMENT

Payment terms will be on back-to-back basis, i.e., payment will be made only on receipt of payment from relevant customer.

20. GOVERNING LAWS

This contract should be governed by and interpreted by Arbitration clause in accordance with Laws in force in India. The courts at Kolkata shall have exclusive jurisdiction in all matters arising under the contract. The selected vendor shall keep himself fully informed of all current national, state and municipal law and ordinances. The selected vendor shall at their own expense, obtain all necessary permits and license and pay all fees and taxes required by law. These will be selected vendor's entire obligation regarding any claim of infringement. The selected vendor hereto agrees that it shall comply with all applicable union, state and local laws, ordinances, regulations and codes in performing its obligations hereunder, including the procurement of licenses, permits certificates and payment of taxes where required. The selected vendor shall establish and maintain all proper records (particularly, but without limitation, accounting records) required by any law, code/practice of corporate policy applicable to it from time to time including records and returns as applicable under labor legislation.

21. CORRUPT OR FRAUDULENT PRATICES

The Tender Committee requires that the bidders under this Tender observe the highest standards of ethics during the procurement and execution of such contracts. For this purpose the definition of corrupt and fraudulent practices will follow the provisions of the relevant laws in force. The Tender Committee will reject a proposal for award if it detects that the bidder has engaged in corrupt or fraudulent practices in competing for the contract in question. The Tender Committee will declare a firm ineligible, either indefinitely or for a stated period of time, if it at any time determines that the firm has engaged in corrupt and fraudulent practices in competing for, or in executing, a contract.

WEBEL TECHNOLOGY LIMITED

22. BINDING CLAUSE

All decisions taken by the Tender Committee regarding the processing of this tender and award of contract shall be final and binding on all parties concerned. The Tender Committee reserves the right:

- To vary, modify, revise, amend or change any of the terms and conditions mentioned above and,
- To reject any or all the Tender/s without assigning any reason whatsoever thereof or to annul the bidding process and reject all bids at any time prior to award of contract, without thereby incurring any liability to the affected bidder(s) or any obligation to inform the affected bidder(s) of the grounds for such decision.

23. WORKMEN'S COMPENSATION

In every case in which by virtue of the provision of the workmen's compensation Act 1923 or any other relevant acts and rules, compensation to a workmen employed by the contractor, is payable, then this should be done by the Contractor. If WTL is obliged to make any compensation under the said rules and acts, then the amount shall be recovered without prejudice, from the bills and due of the Contractor. WTL shall not be bound to contest any claim made against the Contractor in respect of workmen's compensation.

24. CONTRACTOR'S EMPLOYEES

The Contractor shall comply with the provision of all labour legislation including the requirement of the payment of Wage Act 1936 and the rules framed there under and modifications thereof in respect of men employed by him in carrying out the contract. The Contractor must ensure that he complies with PF, ESI regulation for all his deployed employees. The Contractor shall see that all authorized Sub Contractors under him similarly complied with the above requirement.

25. SAFETY MEASURES

The Contractor shall in the course of execution of the work take all necessary precaution for the protection of all persons and property. The Contractor shall take adequate measures to protect the work and prevent accident during the work. In the event of any accident to any person or persons or damage or injury of any description to any person or property due to failure on the part of the contractor in taking proper precautionary measures the contractor shall be responsible for and must make good the loss the damage at his own cost to the satisfaction of the department and employees of the department shall be indemnified from all claims or liabilities arising there from or any expenses incurred on account thereof.

26. EQUIPMENT

All tools & tackles necessary for the work shall have to be procured by the contractor unless other wise specified elsewhere in these tender documents. The equipment used by the contractor for a particular work must be appropriate for the type of work. The contractor shall maintain the equipment used on the work properly so that they are in good working condition. In no case shall the contractor use defective or imperfect equipment in the work. The contractor shall arrange to replace or repair all defective equipment so that the progress of the work is not hampered. No defective equipment should be left at the site of work and the department shall not be responsible for any loss or damage to any of these equipments during the course of the execution of the work.

27. SUB-CONTRACT

The purchaser (WTL) does not recognize the existence of Sub-Contractors. The Contractor's responsibility is not transferable.

28. TERMINATION FOR DEFAULT

WTL may without prejudice to any other remedy or right of claim for breach of contract by giving not less than 30 days written notice of default sent to the contractor, terminate the order in whole or in part. If the contractor materially fails to render any or all the services within the time period specified in the contract or any extension thereof granted by WTL in writing and fails to remedy its failure within a period of thirty days after receipt of default notice from WTL. If the project (delivery, commissioning as well as warranty maintenance support is not carried out according to specification due to deficiency in

WEBEL TECHNOLOGY LIMITED

service as per terms of the contract. In such case WTL will invoke the amount held back from the contractor as PBG.

29. BANKRUPTCY

If the contractor becomes bankrupt or have a receiving order made against him or compound with his creditors or being a corporation commence to be wound up, not being a voluntary winding up for the purpose only or amalgamation or reconstruction, or carry on their business under a receiver for the benefit of their creditors or any of them, WTL shall be at liberty to terminate the engagement forthwith without any notice in writing to the contractor or to the liquidator or receiver or to any person in whom the contractor may become vested and without any compensation to give such liquidator or receiver or other person the option of carrying out the engagement subject to their providing a guarantee for the due and faithful performance of the engagement up to an amount to be determined by WTL.

30. FORCE MAJEURE

It is hereby defined as any cause, which is beyond the control of the Contractor or WTL as the case may be, which such party could not foresee or with a reasonable amount of diligence could not have foreseen and which substantially affect the performance of the contract, such as

- War, Hostilities or warlike operations (whether a state of war be declared or not), invasion, act of foreign enemy and civil war.
- Rebellion, revolution, insurrection, mutiny, usurpation of civil or military, government, conspiracy, riot, civil commotion and terrorist area.
- Confiscation, nationalization, mobilization, commandeering or requisition by or under the order of any government or de facto authority or ruler, or any other act or failure to act of any local state or national government authority.
- Strike, sabotage, lockout, embargo, import restriction, port congestion, lack of usual means of public transportation and communication, industrial dispute, shipwreck, shortage of power supply epidemics, quarantine and plague.
- Earthquake, landslide, volcanic activity, fire flood or inundation, tidal wave, typhoon or cyclone, hurricane, nuclear and pressure waves or other natural or physical disaster.

If either party is prevented, hindered or delayed from or in performing any of its obligations under the Contract by an event of Force Majeure, then it shall notify the other in writing of the occurrence of such event and the circumstances of the event of Force Majeure within fourteen days after the occurrence of such event. The party who has given such notice shall be excused from the performance or punctual performance of its obligations under the Contract for so long as the relevant event of Force Majeure continues and to the extent that such party's performance is prevented, hindered or delayed.

The party or parties affected by the event of Force Majeure shall use reasonable efforts to mitigate the effect of the event of Force Majeure upto its or their performance of the Contract and to fulfill its or their obligation under the Contract but without prejudice to either party's right to terminate the Contract.

No delay or nonperformance by either party to this Contract caused by the occurrence of any event of Force Majeure shall.

- Constitute a default or breach of the contract.
- Give rise to any claim fro damages or additional cost or expense occurred by the delay or nonperformance. If, and to the extent, that such delay or nonperformance is caused by the occurrence of an event of Force Majeure.

31. INSURANCE COVERAGE

Appropriate insurance to cover all solution components for the transit period and until the time of its acceptance at the respective site is to be taken by the contractor. As the contractor will carry the risk for the material in his books during transit, the contractor should arrange insurance for the total system as period from the dispatch till Acceptance Test is successfully achieved. Further the contractor is to take all required insurance coverage in respect of all its personnel who shall be working on this engagement.

32. WARRANTY

The Bidder/OEM will warranty for all equipments/ services for 3 years from the date of implementation/ acceptance and that the products supplied under the contract are newly made and are free from defects in the design, engineering and workmanship. The bidder would be responsible for the up keep, re-

WEBEL TECHNOLOGY LIMITED

installation, configuration, re-configuration, tuning, documenting and maintenance of the infrastructure and necessary deliverables under the scope of work during the entire warranty period of three years for all items of BOM from the date of final acceptance of the system by the customer. The bidder shall not, without the express prior written consent of WTL, assign to any third party of the contract or part thereof. Service support for the entire warranty period will be on site and comprehensive (including spares) and free of cost for the entire warranty period.

33. WARRANTY SUPPORT

The total system will be warranted against bad workmanship and manufacturing defects for 36 months from the date of acceptance of the system whole or part. Service support for the entire warranty period will be on site and comprehensive (including spares and all other support) and free of cost for the entire warranty period. The bidder should have a call centre in Kolkata. The contact details of the call centre must be furnished along with the bid. Any call logged with the service centre must be given a running docket number to the person reporting the call. Maximum response time – Next Business day. Call resolution time – 48 hrs maximum. If the uptime goes below the prescribed limit in any quarter, the same will be noted. At the scheduled end of the warranty period the total of such deviation will be done and the contractor will have to extend the warranty support by the default time. Penalty shall be deducted for deviation of warranty support.

34. PERFORMANCE BANK GUARANTEE (PBG)

As a guarantee for timely delivery, installation and commissioning of equipment as well as performance of on-site warranty support, as mentioned in Bill of Material, from the date of final acceptance of systems and pertaining to proper running of the systems, the bidder will have to submit 10% of the contract value as security in the form of Performance Bank Guarantee from any nationalized bank as per format enclosed (Section – T).

35. SI/BIDDER/CONTRACTOR'S RESPONSIBILITIES

Refer Section - A

36. NO WAIVER OF RIGHTS

Neither the inspection by WTL or any of their agents nor any order by WTL for payment of money or any payment for or acceptance of the whole or any part of the works by WTL, nor any extension of time, nor any possession taken by WTL shall operate as a waiver of any provision of the contract or of any power reserved to WTL, or any right to damages here in provided, nor shall any waiver of any breach in the contract be held to be a waiver of any other subsequent breach.

37. ENFORCEMENT OF TERMS

The failure of either party to enforce at any time any of the provision of this contract or any rights in respect thereto or to exercise any option here in provided shall in no way be construed to be a waiver to such provisions, rights or options or in any way to affect the validity of the contract. The exercise by either party of any of its rights herein shall not preclude or prejudice either party from exercising the same or any other right it may have hereunder.

38. PERIOD OF VALIDITY OF OFFER

For the purpose of placing the order, the proposals shall remain valid till 180 days. During the period of validity of proposals, the rates quoted shall not change. In exceptional circumstances, WTL may ask for extension of the period of validity and such a request shall be binding on Bidders. WTL's request and the response to such a request by various Bidders shall be in writing. A Bidder agreeing to such an extension will not be permitted to increase its rates.

39. TAXES & DUTIES

- The prices shall be inclusive of all taxes & levies including GST and other statutory duties as applicable. Rate of taxes should be indicated separately in the Price Bid.
- Contract Price specified in Price Bid should be based on the taxes & duties and charges prevailing at the date one day prior to the last date of Bid submission.

WEBEL TECHNOLOGY LIMITED

- Statutory deduction, wherever applicable, shall be made from invoice as per government rules. Necessary certificate will be issued for such deductions.
- Bidder submitting a bid shall produce valid statutory documents / certificates with respect to GST, Income Tax, ROC, Prof. Tax, Trade Licence, etc. All such documents / certificates shall remain valid on the last date of tender submission.
- In case of inter-state transaction, WTL will provide "Waybill". However, statutory charges, if any will be borne by the bidder.
- GST component of the invoice of the bidder may be kept on hold in case there is any mismatch / irregularity in GST return filing on the part of the bidder.

40. DISCREPANCIES IN BID

- Discrepancy between description in words and figures, the rate which corresponds to the words quoted by the bidder shall be taken as correct.
- Discrepancy in the amount quoted by the bidder due to calculation mistake of the unit rate then the unit rate shall be regarded as firm.
- Discrepancy in totaling or carry forward in the amount quoted by the bidder shall be corrected.

41. BID DUE DATE

The tender shall be submitted not later than the due date and time specified in the Important Dates Sheet. WTL may as its discretion on giving reasonable notice by fax, or any other written communication to all prospective bidders who have been issued the bid documents, extend the bid due date, in which case all rights and obligations of the WTL and the bidders, previously subject to the bid due date, shall thereafter be subject to the new bid due date as extended.

42. LATE BID

Any proposal received after the deadline for submission of proposals may not be accepted.

43. OPENING OF BID BY WTL

Bids shall be opened and downloaded in the presence of Tender Committee and Bidder's representative (maximum 2) may attend, which is not compulsory. The bidder's representatives who are present shall sign a register evidencing their attendance and produce necessary authorization. The bidder's name, Bid modifications or withdrawals, discounts and the presence or absence of relevant Bid Security and such other details as WTL office at his/her discretion, may consider appropriate, shall be announced at the opening. WTL shall open the bid security at mentioned time.

44. CONTACTING WTL

Bidder shall not approach WTL officers beyond office hours and/or outside WTL office premises from the time of the Bid opening to the time of finalization of successful bidder. Any effort by bidder to influence WTL office in the decision on Bid evaluation, Bid comparison or finalization may result in rejection of the Bidder's offer. If the bidder wishes to bring additional information to the notice of WTL, it should be in writing.

45. WTL'S RIGHT TO REJECT ANY OR ALL BIDS

WTL reserves the right to reject any bid and to annul the bidding process and reject all bids at any time prior to award of Contract, without thereby incurring any liability to the affected bidder(s) or any obligation to inform the affected bidder(s) of the grounds for such decision.

46. BID CURRENCIES

Prices shall be quoted in Indian Rupees, inclusive of all prevailing taxes, levies, duties, cess etc.

47. PRICE

- Price should be quoted in the BOQ format only. No deviation is acceptable.
- Price quoted should be firm, inclusive of packing, forwarding, insurance and freight charges.
- Percentage/specified amount of taxes & duties should be clearly mentioned otherwise WTL reserves the right to reject such vague offer.
- Price to be quoted inclusive of supply, installation & commissioning charges.

WEBEL TECHNOLOGY LIMITED

48. CANVASSING

Canvassing or support in any form for the acceptance of any tender is strictly prohibited. Any bidder doing so will render him liable to penalties, which may include removal of this name from the register of approved Contractors.

49. NON-TRANSFERABILITY OF TENDER

This tender document is not transferable.

50. FORMATS AND SIGNING OF BID

The original and all copies of the proposals shall be neatly typed and shall be signed by an authorized signatory(ies) on behalf of the Bidder. The authorization shall be provided by written Power of Attorney accompanying the proposal. All pages of the proposal, except for un-amended printed literature, shall be initialed by the person or persons signing the proposal. The proposal shall contain no interlineations, erase or overwriting. In order to correct errors made by the Bidder, all corrections shall be done & initialed with date by the authorized signatory after striking out the original words/figures completely.

51. WITHDRAWAL OF BID

Bid cannot be withdrawn during the interval between their submission and expiry of Bid's validity period. Fresh Bid may be called from eligible bidders for any additional item(s) of work not mentioned herein, if so required.

52. INTERPRETATION OF DOCUMENTS

If any bidder should find discrepancies or omission in the specifications or other tender documents, or if he should be in doubt as to the true meaning of any part thereof, he shall make a written request to the tender inviting authority for correction/clarification or interpretation or can put in a separate sheet along with his technical bid document.

53. SPLITTING OF THE CONTRACT AND CURTAILMENT OF WORK

WTL reserve the right to split up and distribute the work among the successful bidders and to curtail any item of work in the schedule partly or fully.

54. PREPARATION OF TENDER

Tender shall be submitted in accordance with the following instructions:

- a) Tenders shall be submitted in the prescribed forms. Digital signatures shall be used. Where there is conflict between the words and the figures, the words shall govern.
- b) All notations must be in ink or type written. No erasing or overwriting will be permitted. Mistakes may be crossed out and corrections typed or written with ink adjacent thereto and must be initialed in ink by the person or persons signing the tender.
- c) Tenders shall not contain any recapitulation of the work to be done. Alternative proposals will not be considered unless called for. No written, oral, telegraphic or telephonic proposals for modifications will be acceptable.
- d) Tenders shall be uploaded as notified on or before the date and time set for the opening of tenders in the Notice Inviting Tenders.
- e) Tenders subject to any conditions or stipulations imposed by the bidder are liable to be rejected.
- f) Each and every page of the tender document must be signed with company seal by the bidder.

55. CLARIFICATION OF BIDS

During evaluation of the bids, the Customer/Tender Committee, at its discretion may ask the bidder for clarification of its bid. The request for the clarification and the response shall be in writing (fax/email) and no change in the substance of the bid shall seek offered or permitted.

56. COMPLIANCE WITH LAW

The contractor hereto agrees that it shall comply with all applicable union, state and local laws, ordinances, regulations and codes in performing its obligations hereunder, including the procurement

WEBEL TECHNOLOGY LIMITED

of licenses, permits certificates and payment of taxes where required.

The contractor shall establish and maintain all proper records (particularly, but without limitation, accounting records) required by any law, code/practice of corporate policy applicable to it from time to time including records and returns as applicable under labor legislation.

57. ERASURES OR ALTERNATIONS

The offers with overwriting and erasures may make the tender liable for rejection if each of such overwriting/erasures/manuscript ions is not only signed by the authorized signatory of the bidder. There should be no hand-written material, corrections or alterations in the offer. Technical details must be completely filled up. Correct technical information of the product being offered must be filled in. Filling up of the information using terms such as "OK", "accepted", "noted", "as given in brochure/manual" is not acceptable. The Customer may treat offers not adhering to these guidelines as unacceptable. The Customer may, at its discretion, waive any minor non-conformity or any minor irregularity in the offer. This shall be binding on all bidders and the Tender Committee reserves the right for such waivers.

58. FINAL INSPECTION

Final inspection will be carried by the authorized representative from WTL.

59. LOCATION DETAILS

As per Proposed list enclosed.

60. SITE INSPECTION

Bidder can inspect (at their own cost) the sites if required, for which they have to take necessary permission from WTL in writing. WTL will take at least four days to organize such permission.

61. QUALITY CONTROL

- The contractor is obliged to work closely with WTL act within its authority and abide by directive issued by them on implementation activities.
- The contractor will abide by the safety measures and free WTL from all demands or responsibilities arising from accident/loss of life, the cause of which is due to their negligence. The bidder will pay all indemnities arising from such incidents and will not hold WTL responsible.
- The contractor will treat as confidential all data and information about the system, obtained in the execution of its responsibilities in strict confidence and will not reveal such information to any party without the prior written approval of WTL.
- WTL reserves the right to inspect all phases of contractor's operation to ensure conformity to the specifications. WTL shall have engineers, inspectors or other duly authorized representatives made known to the contractor, present during the progress of the work and such representatives shall have free access to the work at all times. The presence or absence of representatives of WTL does not relieve the contractor of the responsibility for quality control in all phases.
- The Court of Kolkata only will have the jurisdiction to deal with and decide any legal matters or dispute whatsoever arising out of the contract.

62. DEEMED ACCEPTANCE

Deliverables will be deemed to be fully and finally accepted by Department in the event Department has not submitted such Deliverable Review Statement to Bidder/Implementation Partner before the expiration of the 30-days review period, or when Department uses the deliverable in its business, whichever occurs earlier ("Deemed Acceptance").

63. GENERAL TERMS

- a) All the pages of the bid document including documents submitted therein must be duly signed and stamped failing which the offer shall be liable to be rejected.
- b) All the documents to be submitted by the bidder along with their offer should be duly authenticated by the person signing the offer and if at any point of time during procurement process or subsequently it is detected that documents submitted are

WEBEL TECHNOLOGY LIMITED

forged/tampered/manipulated in any way, the total responsibility lies with the bidder and WTL reserves the full right to take action as may be deemed fit including rejection of the offer and such case is to be kept recorded for any future dealing with them.

- c) No Technical/Commercial clarification will be entertained after opening of the tender.
- d) Overwriting and erasures may make the tender liable for rejection if each of such overwriting/erasures/manuscription is not only signed by the authorized signatory of the bidder. All overwriting should be separately written and signed by the authorized signatory of the bidder.
- e) Quantity mentioned in the tender document is indicative only and orders shall be placed subject to actual requirement. WTL reserve the right to increase or decrease the quantity specified in the tender.
- f) WTL reserve the right to reject or accept or withdraw the tender in full or part as the case may be without assigning the reasons thereof. No dispute of any kind can be raised the right of buyer in any court of law or elsewhere.
- g) WTL reserve the right to ask for clarification in the bid documents submitted by the bidder. Documents may be taken if decided by the committee.
- h) No dispute by the bidders in regard to Technical/Commercial points will be entertained by WTL and decision taken by the Tender Committee will be final.
- i) Discrepancy in the amount quoted by the bidder due to calculation mistake, the unit rate shall be regarded as firm and the totaling or carry in the amount quoted by the bidder shall be corrected accordingly.
- j) The price offers shall remain firm within the currency of contract and no escalation of price will be allowed.
- k) The acceptance of the tender will rest with the accepting authority who is not bound to accept the lowest or any tender and reserves the right to reject in part or in full any or all tender(s) received and to split up the work among participants without assigning any reason thereof.
- l) The customer/WTL at its discretion may extend the deadline for the submission of Bids.
- m) The Court of Kolkata only will have the jurisdiction to deal with and decide any legal matters or dispute whatsoever arising out of the contract.

WEBEL TECHNOLOGY LIMITED

SECTION – E

TECHNO COMMERCIAL EVALUATION & AWARDING OF CONTRACT

1. EVALUATION PROCEDURE

- The Eligibility Criteria (Section - C) will be evaluated by Tender Committee and those qualify will be considered for further evaluation.
- The Tender Committee shall verify the Technical Specification (Technical Specification with Compliance Statement, Section – I) Deviation in specification shall not be allowed. Bidder qualified in Technical Specification shall be considered for further evaluation.
- After qualifying in Technical Specification, qualified bidders will only be considered for Financial Bid evaluation.

2. FINAL EVALUATION

Financial Proposal of the bidders qualifying in the evaluation of Technical Specification will be evaluated. The bidder who has qualified in the Technical Specification and returns with lowest quote (L1) in Financial Bid will normally be awarded the contract subject to Post Qualification.

3. AWARDING OF CONTRACT

An affirmative Post Qualification determination will be prerequisite for award of the contract to the most overall responsive bidder. A negative determination will result in rejection of bidder's bid, in which event the WTL will proceed to the next lowest evaluated bidder to make a similar determination of that bidder's capability to perform satisfactorily. WTL will award the contract to the successful bidder whose bid has been determined to be substantially responsive after final negotiation may held with the most responsive bidder, if required. This is a turnkey job in a nature, so bidder(s) to quote all the items mentioned in the tender document, which can ensure single point contact / sole responsibility of the bidder(s) towards project execution. The successful bidder (s) will have to give security deposit in the form of Performance Bank Guarantee.

4. POST QUALIFICATION

The determination will evaluate the Bidder's financial, technical, design, integration, customization, production, management and support capabilities and will be based on an examination of the documentary evidence of the Bidder's qualification, as well as other information WTL deems necessary and appropriate. This determination may include visits or interviews with the Bidder's client's reference in its bid, site inspection, and any other measures. At the time of post-qualification, Department of Par& e-Governance may also carry out tests to determine that the performance or functionality of the Information System offered meets those stated in the detailed Technical Specification.

WEBEL TECHNOLOGY LIMITED

SECTION – F

BID FORM

(Bidders are requested to furnish the Bid Form in the Format given in this section, filling the entire Blank and to be submitted on Letter Head in original)

To
Webel Technology Limited
Plot – 5, Block – BP, Sector - V,
Salt Lake City,
Kolkata – 700091.

Sub: Implementation of WBSWAN connectivity at 65 Government Departments for implementation of e-office in West Bengal.

Dear Sir,

1. We the undersigned bidder/(s), having read and examined in details the specifications and other documents of the subject tender no. WTL/PAR/SWAN/17-18/025 dated 26.10.2017, do hereby propose to execute the job as per specification as set forth in your Bid documents.
2. The prices of all items stated in the bid are firm during the entire period of job irrespective of date of completion and not subject to any price adjusted as per in line with the bidding documents. All prices and other terms & conditions of this proposal are valid for a period of 180 (one hundred eighty) days from the date of opening of bid. We further declare that prices stated in our proposal are in accordance with your bidding.
3. We confirm that our bid prices include all other taxes and duties and levies applicable on bought out components, materials, equipments and other items and confirm that any such taxes, duties and levies additionally payable shall be to our account.
4. Earnest Money Deposit: We have enclosed EMD in the form of Demand draft for a sum of Rs. 5,00,000/- (DD no. _____ dated _____ drawn on _____).
5. We declare that items shall be executed strictly in accordance with the specifications and documents irrespective of whatever has been stated to the contrary anywhere else in our proposal. Further, we agree that additional conditions, deviations, if any, found in the proposal documents other than those stated in our deviation schedule, save that pertaining to any rebates offered shall not be given effect to.
6. If this proposal is accepted by you, we agree to provide services and complete the entire work, in accordance with schedule indicated in the proposal. We fully understand that the work completion schedule stipulated in the proposal is the essence of the job, if awarded.
7. We further agree that if our proposal is accepted, we shall provide a Performance Bank Guarantee of the value equivalent to ten percent (10%) of the Order value as stipulated in Financial Bid (BOQ).
8. We agree that WTL reserves the right to accept in full/part or reject any or all the bids received or split order within successful bidders without any explanation to bidders and his decision on the subject will be final and binding on Bidder.

Dated, thisday of2017

Thanking you, we remain,

WEBEL TECHNOLOGY LIMITED

Yours faithfully

.....
Signature

.....
Name in full

.....
Designation

Signature & Authorized Verified by

.....
Signature

.....
Name in full

.....
Designation

.....
Company Stamp

WEBEL TECHNOLOGY LIMITED

SECTION – G

GUIDANCE FOR E-TENDERING

Instructions / Guidelines for electronic submission of the tenders have been annexed for assisting the Bidders to participate in e-Tendering.

1. Registration of Bidder:

Any Bidder willing to take part in the process of e-Tendering will have to be enrolled & registered with the Government e-Procurement System through logging on to <https://wbtenders.gov.in>. The Bidder is to click on the link for e-Tendering site as given on the web portal.

2. Digital Signature Certificate (DSC):

Each Bidder is required to obtain a Class-II or Class-III Digital Signature Certificate (DSC) for submission of tenders from the approved service provider of the National Informatics Centre (NIC) on payment of requisite amount. Details are available at the Web Site stated above. DSC is given as a USB e-Token.

3. The Bidder can search & download N.I.T. & BOQ electronically from computer once he logs on to the website mentioned above using the Digital Signature Certificate. This is the only mode of collection of Tender Documents.

4. Participation in more than one work:

A prospective bidder shall be allowed to participate in the job either in the capacity of individual or as a partner of a firm. If, found to be applied severally in a single job all the applications will be rejected.

5. Submission of Tenders:

Tenders are to be submitted through online to the website stated above in two folders at a time, one in Techno Commercial Proposal & the other is Financial Proposal before the prescribed date & time using the Digital Signature Certificate (DSC). The documents are to be uploaded virus scanned copy duly Digitally Signed. The documents will get encrypted (transformed into non readable formats)

The proposal should contain scanned copies of the following in two covers (folders).

Techno Commercial Cover:

Technical Document1 (scanned & join in pdf format then upload)

1. Copy of Demand Draft of Earnest Money Deposit (EMD)
2. Copy of Demand Draft of Tender Fee
3. Bid Form as per format (Section – F)

Technical Document2 (scanned & join in pdf format then upload)

1. N I T Declaration duly stamped & signed in bidder's letter head, Section - R

Technical Compliance (scanned & join in pdf format then upload)

1. Technical Specification With Compliance Statement (Section – I)
2. Manufacturer Authorisation Form (Section – P)

Financial Cover:

BOQ will be downloaded and same will be uploaded with quoted rates. While uploading BOQ file name shall remain unchanged. Absence of this document shall lead to summary rejection of the bid.

NON-STATUTORY COVER (MY SPACE) CONTAIN FOLLOWING DOCUMENT:

(In each folder, scanned copy will be uploaded with single file having multiple pages)

WEBEL TECHNOLOGY LIMITED

Sl. No.	Category Name	Sub Category Name	Sub Category Description
A	CERTIFICATES	A1. CERTIFICATES	<ul style="list-style-type: none"> • GST Registration Number • PAN • Document as per Clause no. 2 of Section – C
B	COMPANY DETAILS	B1. COMPANY DETAILS 1	<ul style="list-style-type: none"> • Document as per Clause – 1 of Section – C • Declaration as per Clause no.13 of Section – C
		B2. COMPANY DETAILS 2	<ul style="list-style-type: none"> • Company Profile (Not more than 3 pages) • ISO Certificate as per Clause no. 10 of Section – C
C	CREDENTIAL	CREDENTIAL 1	<ul style="list-style-type: none"> • Order copies as per Clause no. 4 of Section – C
		CREDENTIAL 2	<ul style="list-style-type: none"> • Product brochure • Other documents, if any
D	DECLARATION	DECLARATION 1	<ul style="list-style-type: none"> • List of Clients as per format (Section – O) • Financial Capability of Bidder as per format (Section – K)
		DECLARATION 2	<ul style="list-style-type: none"> • Document as per Clause no. 11 of Section – C, Format Section – N
		DECLARATION 3	Bidder's Details as per format (Section – L)
		DECLARATION 4	Details of Order as per format (Section – J)
		DECLARATION 5	Declaration as per Clause no.5 of Section – C
F	FINANCIAL INFO	P/L & BALANCE SHEET 2014-2015	P/L & BALANCE SHEET 2014-2015
		P/L & BALANCE SHEET 2015-2016	P/L & BALANCE SHEET 2015-2016
		P/L & BALANCE SHEET 2016-2017	P/L & BALANCE SHEET 2016-2017

The hard copy of the total set of documents uploaded in e-Tender site except BOQ to be submitted in sealed envelope to Manager (Purchase), Webel Technology Ltd. before opening of Technical Bid. The envelope superscripted with words "Hard copy of document uploaded against Tender no. WTL/PAR/SWAN/17-18/025 except BOQ".

WEBEL TECHNOLOGY LIMITED

SECTION – H

BILL OF MATERIAL

Sl. No.	Description of Items	Total Qty	Unit
1	Router: with a total of 3 onboard/built-in 10/100/1000 Mbps WAN/LAN ports, Power Supply 30 Watt AC, Memory (DDR3 DRAM):Default/maximum 4GB/16GB, Flash memory (internal): Default/maximum : 4GB/8GB, router fixing accessories, console cable	22	Nos.
2	Warranty for Router: 8x5xNBDx3 years on-site comprehensive warranty	22	Nos.
3	Switch: 24 Port 10/100/1000 Mbps Managed POE (all interface) L2 Switch with 4 x Gigabit SFP (2 combo), with power cord, switch fixing accessories, console cable	47	Nos.
4	Warranty for Switch: 8x5xNBDx3 years on-site comprehensive warranty	47	Nos.
5	Switch: 24 Port 10/100/1000 Mbps Managed Non-POE L3 Switch with 4 x1G SFP, with power cord, switch fixing accessories, console cable	10	Nos
6	Warranty for Switch: 8x5xNBDx3 years on-site comprehensive warranty	10	Nos.
7	Optical Transceiver: 1G Long Haul single mode fiber module GLC-LH-SMD	80	Nos
8	UPS: 1 KVA Online UPS with 30 Minutes Battery Backup (3 year on-site comprehensive warranty)	56	Nos.
9	UPS Battery : 12 V, 26 AH battery for running above UPS for 30 minutes on full load	168	Nos
10	Interlink Cable	56	Nos
11	Rack for Batteries	56	Nos
12	Network Rack: 19" 12 U Rack with Tray, Power Strip, Cooling Fan and accessories, All equipments housed properly, air circulation & properly locking system with key. Make: D-Link / APW / VAL RACK or equivalent	10	Nos.
13	Network Rack: 19" 9U Rack with Tray, Power Strip, Cooling Fan and accessories, All equipments housed properly, air circulation & properly locking system with key. Make: D-Link / APW / VAL RACK or equivalent	11	Nos.
14	Network Rack: 19" 6U Rack with Tray, Power Strip, Cooling Fan and accessories, All equipments housed properly, air circulation & properly locking system with key. Make: D-Link / APW / VAL RACK or equivalent	35	Nos.
15	ADF Scanner	65	Nos.
16	Flatbed Scanner	65	Nos.
	LAN cabling work with OFC cable		
17	6 Core SM Fiber Cable	10000	Mtr.
18	Fiber Termination Box	35	Nos.
19	6 Port LIU Loaded	12	Nos.
20	12 Port LIU Loaded	5	Nos.
21	LC connector	110	Nos.
22	LC-LC SM Patch Cord 2mtr. Duplex	110	Nos.
23	Pigtail	70	Nos.
24	Laying of 6 Core Fiber Cable through PVC conduit/GI wire with necessary fittings	10000	Mtr.
25	Termination & Testing of Fiber at Both end	70	Nos.
26	Cat 6 cable	20000	Mtr.
27	I/o with back box	260	Nos.
28	RJ 45 connector	520	Nos.
29	Cat6 Patch cord 2 mtr	260	Nos.
30	Cat6 Patch cord 1 mtr	260	Nos.
31	Cat 6 patch panel	65	Nos.

Bill of quantity may change at the time of ordering/execution of work. Final bill will be raised on actual consumption of all materials.

WEBEL TECHNOLOGY LIMITED

Detailed Technical Specifications are given in Section – I

WEBEL TECHNOLOGY LIMITED

SECTION - I

TECHNICAL SPECIFICATION WITH COMPLIANCE STATEMENT

(Tender No. WTL/PAR/SWAN/17-18/025)

- Bidder should submit all relevant data sheet/brochure of all quoted items and should also available in respective OEM's official website.
- Bidder should indicate items mentioned in the OEM data sheet / brochure by marketing the serial no. as mentioned in minimum specification in the RFP.

1. Minimum Specification of Router-

Qty.	22
Make	Cisco 4331 / K9 or equivalent
Model	
Part No.	

	Minimum Specification	Qty.	Specification (Quoted / Applicable – by the bidder)	Complied (Yes / No)
Part No	Description			
	Router: with a total of 3 onboard/built-in 10/100/1000 Mbps WAN/LAN ports), out of which at least 2 port should be fiber based ethernet interface and the remaining 1 port should be copper based Ethernet interface			
	Min. Power Supply 30 Watt AC			
	Default Advanced IP Services License having support for protocols like MPLS, IP SLA etc.			
	Should have minimum 4 GB DRAM from Day 1 with 100% scalability support			
	Should support minimum 4GB flash memory from Day 1			
	Router Rack mount Wall mount Kit			
	Blank faceplate for WIM slot			
	AC Power Cord for India			
	Router UNIVERSAL software			
	Fiber module to be added as per the Distribution Matrix published in the RFP			
	Warranty for Router 8x5xNBDx3 years on-site comprehensive			

2. Minimum Specification of 24 Port 10/100/1000 Mbps managed L2 Switch

Qty.	47
Make	Cisco or equivalent
Model	SG350-28P-K9-EU
Part No.	

	Minimum Specification	Qty.	Specification (Quoted / Applicable – by the bidder)	Complied (Yes / No)
Part No	Description			
	Switch L2 10/100/1000 Mbps 24 Port Managed +4 * 1G ethernet (2 should be combo port)			
	Warranty for Switch 8x5xNBDx3 Years on-site comprehensive			
	Fiber module to be added as per the Distribution Matrix published in the RFP			

WEBEL TECHNOLOGY LIMITED

3. Minimum Specification of 24 Port 10/100/1000 Mbps managed L3 Switch

Qty.	10 nos.
Make	Cisco or equivalent
Model	WS-C3650-24TS-S
Part No.	

Minimum Specification		Qty.	Specification (Quoted / Applicable – by the bidder)	Complied (Yes / No)
Part No	Description			
	Switch L3 10/100/1000 Mbps BASE-T 24 Port Managed +4 * 1G SFP based interface			
	Warranty for Switch 8x5xNBDx3 Years on-site comprehensive			
	Fiber module to be added as per the Distribution Matrix published in the RFP			
	Universal Software for the switch to be supplied from day 1			
	250W AC Power Supply from Day 1			
	India AC Type A Power Cable to be supplied from Day 1			

4. Minimum Specification of 1 KVA ON Line UPS System

Qty.	56 No.
Make	APC/Vertiv/Equivalent
Model	
Part No.	

Sl. No.	Parameter	Requirement	Offered Specification	Complied (Yes / No.)	Remarks
1	UPS Rating	1kVA / 800W			
	UPS Type	IGBT Based True On Line Double Conversation UPS System			
	Input Voltage	UPS having Single Phase input with the voltage Range 160VA To 300VAC			
	Input Power Factor	>0.95 for both single phase			
	Input Frequency	50Hz / 60Hz			
	Output Voltage	230V Single Phase			
	Output Frequency	50Hz±0.5Hz			
	Output vTHD	<=3% for Linear Load, <=6% for non linear load			
	LCD Display	UPS Should be LCD Status Display			
	Special Protection	a 10kA Surge Protective Device with response time of < 0.5 nano seconds UL listed will have to provided at the Input of the UPS System			

WEBEL TECHNOLOGY LIMITED

	Battery Bank	Battery bank will be suitable for 30 mins battery backup minimum 936 VAH. Battery type will be SMF VRLA only. Battery make Exide / Quanta equivalent.			
	Certificate Required	<p>UPS Manufacturer's ISO 9001: 2008 certificate.</p> <p>UPS Manufacturer's ISO 14001 certificate.</p> <p>NABL accredited Test Laboratory certificate for the offered UPS system, same model and rating</p>			

5. Minimum Specification of ADF Scanner : 65 Nos (HP/Canon Equiv.)

Scanner type

- Flatbed
- ADF
- Digital sending standard features
- Scan to email; Scan to PC; Scan to Network
- Digital sending optional features
- Send to email
- Send to network folder
- Send to PC
- Scan resolution, optical
- Up to 600 x 600 dpi (color and mono, ADF)
- Up to 1200 x 1200 dpi (color and mono, flatbed)
- Duty cycle (daily)
- Recommended daily duty cycle: 4000 pages (ADF), 100 pages (Flatbed)
- Bit depth
- 24-bits external 48-bits internal
- Levels of grayscale
- 256
- Multifeed detection
- Yes
- Task speed
- OCR A4 (8.5 x 11 in) text page (ADF, 300 dpi, Color, RTF): 6.51 sec for single image scan. 4.45 sec for single image save
- A4 (8.5 x 11 in) to e-mail (ADF, 300 dpi, Color, PDF): 6.43 sec for single image scan. 1.56 sec for single image send
- OCR A4 (8.5 x 11 in) text page (Flatbed, 300 dpi, Color, RTF): 7.89 sec for single image scan. 4.43 sec for single image save

WEBEL TECHNOLOGY LIMITED

- A4 (8.5 x 11 in) to e-mail (Flatbed, 300 dpi, Color, PDF): 7.89 sec for single image scan. 1.39 sec for single image send. [4 x 6-in is not supported. Slides to file and negative to file are not supported]
Scan size, maximum
- 216 x 356 mm
Media types
- Paper (banner, inkjet, photo, plain), envelopes, labels, cards (greeting, index)
Media weights, supported ADF
- 45 to 120 g/m²
Scan file format
- For text & images: PDF, JPEG, PNG, BMP, TIFF, Text (.txt), Rich Text (rtf) and Searchable PDF.
Scan input modes
- Scan front-panel function for Save as PDF, Save as JPEG, E-mail as PDF, E-mail as JPEG, Send to Cloud, Everyday Scan and Save as Editable Text (OCR). HP Scan in Win OS, HP Easy Scan/ICA in Mac OS and third parties applications via TWAIN.
Scanner advanced features
- Blank page removal
- Auto orientation
- Auto color detect
- Auto crop
- Auto exposure
- Hole removal
- Straighten content
- Erase edges
- Clean up background
- Auto threshold
- Color drop out
- OCR
Control panel
- 2.8-in (7.11-cm) Touchscreen, Buttons (Back, Home, Help)

ADF specifications

Automatic document feeder capacity

- Standard, 50 sheets (75 g/m² paper)

Automatic document feeder speed

Up to 30 ppm/60 ipm¹

Scanning options (ADF)

- Single pass E-Duplex

Scan size (ADF), maximum

WEBEL TECHNOLOGY LIMITED

- 216 x 3100 mm
Scan size ADF (minimum)
- 105 x 148 mm

Compatible operating systems

Compatible operating systems

Win 7 or higher

Mac: OS X El Capitan 10.11

Mac compatible

- Yes

Connectivity

Connectivity, standard

- USB 2.0 and USB 3.0 (SuperSpeed)
- Built-in Fast Ethernet 10/100/1000Base-TX network port

Twain version

TWAIN Certified. Version 2.1

Power and operating requirements

Power

- Input Voltage: 100 to 240 VAC

Power consumption

6.11 watts (Ready), 1.35 watts (Sleep), 0.05 watts (Auto-Off), 0.05 watts (Off)

Operating temperature range

- 10 to 35°C

Operating humidity

- 15 to 80% RH (non-condensing)

6. Minimum Specification of 19" 12U/ 9U / 6U Wall mounting Rack

Qty.	10 nos /11 nos /35 Nos.
Make	
Model	
Part No.	

Minimum Specification	Qty.	Specification (Quoted / Applicable - by the bidder)	Complied (Yes / No)
19" 6U wall mounting rack with all cables & tray, Power Strip, Cooling Fan & accessories input power strip & chassis ground. All equipments housed properly, air circulation & properly locking system with key. (Make: VALRACK / D-Link / APW or Equivalent)	Nos		

7. Minimum Specification of Factory Crimped Patch Cord 2 Mtr.

WEBEL TECHNOLOGY LIMITED

Qty.	260 Nos.
Make	AMP/Comscope/Equiv.
Model	
Part No.	

Sl. No.	Minimum Specification	Specification (Quoted / Applicable – by the bidder)	Complied (Yes / No)	Remarks
1	Category 6 UTP Patch Cord – 2 Mtr.			
2	The Patch Cord shall, at a minimum comply with proposed ANSI/TIA/EIA-568-C.2-1 Commercial Building Cabling Standards Transmission Performance Specifications for 4 pair 100W Category 6 Cabling.			
3	Conductor size: 22-24 AWG stranded bare copper			
4	Jacket: PVC			
5	Contact blade: Phosphor bronze or equivalent			
6	Contact plating: 50µ" Gold			
7	Plug dimensions & tolerances compliant with FCC Part 68.500 and IEC 60603-7			
8	Insulation resistance : 35 M Ohm (Max)			
9	OEM should be ISO9001 and ISO14001 certified for design, development for LAN & WAN products.			
10	Brand and company together presence in India should be for last 10 years.			
11	OEM should have own service centre/Replacement Center in the state of installation			

8. Minimum Specification of Factory Crimped Patch Cord 1 Mtr.

Qty.	260 Nos.
Make	AMP/Comscope/Equiv.
Model	
Part No.	

Sl. No.	Minimum Specification	Specification (Quoted / Applicable – by the bidder)	Complied (Yes / No)	Remarks
1	Category 6 UTP Patch Cord – 1 Mtr.			
2	The Patch Cord shall, at a minimum comply with proposed ANSI/TIA/EIA-568-C.2-1 Commercial Building Cabling Standards Transmission Performance Specifications for 4 pair 100W Category 6 Cabling.			
3	Conductor size: 22-24 AWG stranded bare copper			
4	Jacket: LSZH			
5	Contact blade: Phosphor bronze or equivalent			
6	Contact plating: 50µ" Gold			
7	Plug dimensions & tolerances compliant with FCC Part 68.500 and IEC 60603-7			
8	Insulation resistance : 35 M Ohm (Max)			
9	OEM should be ISO9001 and ISO14001 certified for design, development for LAN & WAN products.			
10	Brand and company together presence in India should be for last 10 years.			
11	OEM should have own service centre/Replacement Center in			

WEBEL TECHNOLOGY LIMITED

the state of installation			
---------------------------	--	--	--

9. Minimum Specification of CAT 6 Information Outlet (with Keystone, Back Box & Single Face Plate)

Qty.	260 Nos.
Make	AMP/Comscope/Equiv.
Model	
Part No.	

Sl. No.	Minimum Specification	Specification (Quoted / Applicable – by the bidder)	Complied (Yes / No)	Remarks
1	Single Port			
2	Write on labels in transparent plastic window – supplied with plate			
3	Face Plate with shutter			
4	Should be able to support variety of jacks – UTP			
5	Category 6, TIA568 C.2-1 – 250MHz			
6	All information outlets for 100 W, 22-24 AWG copper cable shall:			
7	Shutter is on face plate			
8	Insertion force: 20N max (IEC 60603-7-4)			
9	Information outlet (RJ45 jack) should be covered under ETL Verification program for compliance with TIA568B.2-1,			
10	Jack Specification:			
11	Plastic Housing: Polycarbonate/PVC or equivalent, UL94V-0 rated or equivalent			
12	Operating Life: Minimum 750 insertion cycles			
13	Contact Material: Copper alloy			
14	Contact Plating: 50 pinches gold on plug contact area			
15	OEM should be ISO9001 and ISO14001 certified for design, development for LAN & WAN products.			
16	Brand and company together presence in India should be for last 10 years.			
17	OEM should have own service centre/Replacement Center in the state of installation			

10. Minimum Specification of CAT 6 UTP Cable

Qty.	20000 Mtr.
Make	AMP/Comscope/Equiv.
Model	
Part No.	

Sl. No.	Minimum Specification	Specification (Quoted / Applicable – by the bidder)	Complied (Yes / No)	Remarks
1	Category 6 Unshielded Twisted Pair 4 pair 100W cable shall be compliant with ANSI/TIA/EIA-568-C.2-1 Additional Transmission Performance Specifications for 4-pair 100W Category 6Cabling. Cat6 cable should be tested up to 600MHz.ETL report to be submitted.			

WEBEL TECHNOLOGY LIMITED

2	Category 6 UTP cables shall extend between the work area location and its associated telecommunications closet and consist of 4 pair, 23 AWG, Cat 6 LSZH jacket complying to fire rating IEC 60332-1 .			
3	The 4 pair Unshielded Twisted Pair cable shall be UL Listed			
4	Construction: 4 twisted pairs separated by internal X shaped, 4 channel, polymer spine / full separator. Half shall not be accepted.			
5	Conductor Solid bare Copper 23 AWG minimum			
6	Insulation :High Density Polyethylene/PVC			
7	Jacket PVC			
8	OEM should be ISO9001 and ISO14001 certified for design, development for LAN & WAN products.			
9	Brand and company together presence in India should be for last 10 years.			
10	OEM should have own service centre/Replacement Center in the state of installation			

11. Minimum Specification of CAT 6 24 Port Loaded JACK/PATCH PANEL

Qty.	65 No.
Make	AMP/Comscope/Equiv.
Model	
Part No.	

Sl. No.	Minimum Specification	Specification (Quoted / Applicable – by the bidder)	Complied (Yes / No)	Remarks
1	Powder coated steel, in 24 port configurations.			
2	Port identification numbers on the front of the panel.			
3	IDC: Suitable for 22-24 AWG stranded and solid wire compatible with both 110 & Krone punch down tools			
4	Each port / jack on the panel should be individually removable on field from the panel.			
5	The Cat-6 transmission performance is in compliance with the ANSI/TIA/EIA 568C.2 standard			
	Jack Connector Specification:			
6	Plastic Housing: ABS , UL94V-0 rated			
7	Contact Material: Copper Alloy			
8	Contact Plating: 50µ" Gold plated on plug contact area			
9	Plug Retention Force: 15 lb.			
	IDC Connector Specification:			
10	Plastic Housing: Polycarbonate, UL94V-0 rated or equivalent			
11	IDC cap : ABS, UL 94V -0			
12	Contact Material: Copper Alloy			
13	Wire Accommodation: 22-24 AWG solid			
14	OEM should be ISO9001 and ISO14001 certified for design, development for LAN & WAN products.			
15	Brand and company together presence in India should be for last 10 years.			
16	OEM should have own service centre/Replacement Center in the state of installation			

WEBEL TECHNOLOGY LIMITED

Minimum Specification of Outdoor Armored Fiber Optic 6 CORE Single Mode Cable

Qty.		10000 Mtr.		
Make		AMP/Comscope/Equiv.		
Model				
Part No.				
Sl. No.	Minimum Specification	Specification (Quoted / Applicable – by the bidder)	Complied (Yes / No)	Remarks
1	6 Core Single Mode Outdoor Armored Fiber Optic Cable			
2	Protected by Glass-yarn in between corrugated steel tape & loose tube			
3	Sequential meter marking			
4	Standards: ISO 11801, IEC60793-1, IEC60794-1.2, ITU-T REC G.652D, Telecordia GR-20 Core			
5	The fiber type is a Matched Cladding Single Mode			
6	Fiber dual coated with acryl ate coating.			
7	The fiber is optimized for operation at 1310 nm and at 1550 nm.			
8	Nominal Mode Field Diameter: 9.2 μm			
9	Mode field diameter tolerance: ±4%			
10	Cladding Diameter: 125 μm			
11	Cladding diameter tolerance: ±1 μm			
12	Mode field Concentricity error: < 1 μm			
13	Cladding non-circularity: < 2 %			
	Attenuation (of cable with fibers):			
14	At 1310 nm: <= 0.40 dB/km			
15	In the range 1285-1330 nm :<= 0.40dB/km			
16	At 1550 nm : <= 0.25 dB/km			
17	OEM should be ISO9001 and ISO14001 certified for design, development for LAN & WAN products.			
18	Brand and company together presence in India should be for last 10 years.			
19	OEM should have own service centre/Replacement Center in the state of installation			

Minimum Specification of 12 Port LIU Box Loaded with LC coupler, Connector etc.

Qty.		5 No.		
Make		AMP/Comscope/Equiv.		
Model				
Part No.				
Sl. No.	Minimum Specification	Specification (Quoted / Applicable – by the bidder)	Complied (Yes / No)	Remarks
1	sufficient slots accommodate Simplex LC adapters individually.			
2	Aluminum base material for light mounting			
3	Splice Tray & Cable Spool provision inside			
4	Accessory kit consists of cable ties, mounting ear screw earthing and spiral wrap tube.			
5	Panel cover should be slide out for easy maintenance			
6	Removable Rear & Front cover for better access to interior of LIU			
7	Should be loaded with 12nos.of LC Single mode simplex adapters			

WEBEL TECHNOLOGY LIMITED

8	Adapters should be Telcordia, TIA/EIA, IEC compliance			
9	OEM should be ISO9001 and ISO14001 certified for design, development for LAN & WAN products.			
10	Brand and company together presence in India should be for last 10 years.			
11	OEM should have own service centre/Replacement Center in the state of installation			

Minimum Specification of 6 Port LIU Box Loaded with LC coupler, Connector etc.

Qty.		12 No.		
Make				
Model				
Part No.				
Sl. No.	Minimum Specification	Specification (Quoted / Applicable – by the bidder)	Complied (Yes / No)	Remarks
1	sufficient slots accommodate Simplex LC adapters individually.			
2	Aluminum base material for light mounting			
3	Splice Tray & Cable Spool provision inside			
4	Accessory kit consists of cable ties, mounting ear screw earthing and spiral wrap tube.			
5	Panel cover should be slide out for easy maintenance			
6	Removable Rear & Front cover for better access to interior of LIU			
7	Should be loaded with 6 nos.of LC Single mode simplex adapters			
8	Adapters should be Telcordia, TIA/EIA, IEC compliance			
9	OEM should be ISO9001 and ISO14001 certified for design, development for LAN & WAN products.			
10	Brand and company together presence in India should be for last 10 years.			
11	OEM should have own service centre/Replacement Center in the state of installation			

Minimum Specification of 1.5 mtr Pigtail with LC Single Mode Connector

Qty.		70 Nos.		
Make				
Model				
Part No.				
Sl. No.	Minimum Specification	Specification (Quoted / Applicable – by the bidder)	Complied (Yes / No)	Remarks
1	Corning Optical Fiber single mode complying G652D, G657A & G657B			
2	SC type Single Mode Connector			
3	Low insertion & return loss, clean & scratch free faces			
4	1.5 Mtr length			
5	OEM should be ISO9001 and ISO14001 certified for design, development for LAN & WAN products.			
6	Brand and company together presence in India should be for last 10 years.			
7	OEM should have own service centre/Replacement Center in the			

WEBEL TECHNOLOGY LIMITED

state of installation			
-----------------------	--	--	--

Minimum Specification of Single Mode Fiber Patch Cord 3 Mtr. Duplex LC-LC				
Qty.		110 No.		
Make				
Model				
Part No.				
Sl. No.	Minimum Specification	Specification (Quoted / Applicable – by the bidder)	Complied (Yes / No)	Remarks
1	Length : 3 Mtr			
2	All optical fiber patch leads shall comprise of Single mode 9/125µm fiber with LC & LC fiber connectors terminated at each end. The optical fiber patch leads shall comply with the following specifications:			
3	Optical Fiber – Corning Single Mode			
4	Connector: Zirconia ceramic ferrule or equivalent			
5	Pre-radiuses and pre-polished ferrule			
6	Duplex			
8	Insertion Loss - <0.2 db			
9	Cable: 9/125, SM			
10	Repeatability - < 0.2 db			
11	Durability – 1000 mating cycle			
12	OEM should be ISO9001 and ISO14001 certified for design, development for LAN & WAN products.			
13	Brand and company together presence in India should be for last 10 years.			
14	OEM should have own service centre/Replacement Center in the state of installation			

Authorized Signatory (Signature In full): _____

Name and title of Signatory: _____

Stamp of the Company: _____

WEBEL TECHNOLOGY LIMITED

SECTION – J

DETAILS OF ORDERS EXECUTED BY BIDDER

(Tender No. WTL/PAR/SWAN/17-18/025)

Sl. No.	Order No.	Order Date	Order Value	Brief description of items and job details	Completed (Yes/NO)	Name of the Customer	Contact details of the Customer

Authorized Signatory (Signature In full): _____

Name and title of Signatory: _____

Stamp of the Company: _____

WEBEL TECHNOLOGY LIMITED

SECTION – K

FINANCIAL CAPABILITY OF BIDDER

(Tender No. WTL/PAR/SWAN/17-18/025)

FINANCIAL INFORMATION

Sl. No.	Name of the Bidder	Turnover (Rs. / Crores)		
		2014-15	2015-16	2016-17
1				

Authorized Signatory (Signature In full): _____

Name and title of Signatory: _____

Stamp of the Company: _____

Note:

Submit the audited financial statement/ audited annual report of the last three financial years.

WEBEL TECHNOLOGY LIMITED

SECTION – L

BIDDERS'S DETAILS

(Tender No. WTL/PAR/SWAN/17-18/025)

1	Name of the Firm	
2	Registered Office Address	
	Contact Number	
	Fax Number	
	E-mail	
3	Correspondence / Contact address	
	Name & Designation of Contact person	
	Address	
	Contact Number	
	Fax Number	
4	Is the firm a registered company? If yes, submit documentary proof	
	Year and Place of the establishment of the company	
6	Former name of the company, if any	
7	<p>Is the firm</p> <ul style="list-style-type: none"> ▪ a Government/ Public Sector Undertaking ▪ a propriety firm ▪ a partnership firm (if yes, give partnership deed) ▪ a limited company or limited corporation ▪ a member of a group of companies, (if yes, give name and address and description of other companies) ▪ a subsidiary of a large corporation (if yes give the name and address of the parent organization). If the company is subsidiary, state what involvement if any, will the parent company have in the project. 	
8	Is the firm registered with Sales Tax department? If yes, submit valid VAT Registration certificate.	
9	Is the firm registered for Service Tax with Central Excise Department (Service Tax Cell)? If yes, submit valid Service Tax registration certificate.	
10	Total number of employees. Attach the organizational chart showing the structure of the organization.	
11	Are you registered with any Government/ Department/ Public Sector Undertaking (if yes, give details)	
12	How many years has your organization been in business under your present name? What were your fields when you established your organization	
13	<p>What type best describes your firm? (Purchaser reserves the right to verify the claims if necessary)</p> <ul style="list-style-type: none"> ▪ Manufacturer ▪ Supplier ▪ System Integrator ▪ Consultant ▪ Service Provider (Pl. specify details) ▪ Software Development ▪ Total Solution provider (Design, Supply , Integration, O&M) ▪ IT Company 	

WEBEL TECHNOLOGY LIMITED

14	Number of Offices in district head quarters in West Bengal	
15	Is your organization has ISO 9001:2008 certificates?	
16	List the major clients with whom your organization has been / is currently associated.	
17	Have you in any capacity not completed any work awarded to you? (If so, give the name of project and reason for not completing the work)	
18	Have you ever been denied tendering facilities by any Government / Department / Public sector Undertaking? (Give details)	

Authorized Signatory (Signature In full): _____

Name and title of Signatory: _____

Company Rubber Stamp: _____

WEBEL TECHNOLOGY LIMITED

SECTION – M

PRE-BID MEETING QUERY

(Tender No. WTL/PAR/SWAN/17-18/025)

Name of the Bidder:

Queries

Sl. No.	Section No.	Clause No.	Page No.	Queries

Note: The filled form to be submitted in XLS or PDF Format. There is a cut off date for receiving of queries before Pre Bid Meeting. Queries received after the cutoff period will not be accepted. The Purchaser reserves the right to respond all queries over e-mail.

Authorized Signatory (Signature In full): _____

Name and title of Signatory: _____

Company Rubber Stamp: _____

WEBEL TECHNOLOGY LIMITED

SECTION - N

SUPPORT SERVICE CENTER & MANPOWER DETAILS OF BIDDER

(Tender No. WTL/PAR/SWAN/17-18/025)

Sl. No.	Name of Place	Address	Name of Support Personnel	Contact Number

Authorized Signatory (Signature In full): _____

Name and title of Signatory: _____

Company Rubber Stamp: _____

WEBEL TECHNOLOGY LIMITED

SECTION – O

LIST OF CLIENTS OF SIMILAR ORDERS

(Tender No. WTL/PAR/SWAN/17-18/025)

Sl. No.	Name of the Client	Address	Contact Person	Designation	Contact Numbers

Authorized Signatory (Signature In full): _____

Name and title of Signatory: _____

Company Rubber Stamp: _____

WEBEL TECHNOLOGY LIMITED

SECTION – P

MANUFACTURER'S AUTHORIZATION FORM

Date:

To
Webel Technology limited
Plot-5, Block-BP, Sector-V
Salt Lake
Kolkata-700 091

Ref: Tender No.: WTL/PAR/SWAN/17-18/025 dated 26.10.2017

WHEREAS _____ who are official producers of
_____ and having production facilities at
_____ do hereby authorize
_____ located at
_____ (hereinafter, the "Bidder") to submit a bid of the following
Products produced by us, for the Supply Requirements associated with the above Invitation for Bids.

When resold by _____, these products are subject to our applicable standard end user warranty terms.

We assure you that in the event of _____, not being able to fulfill its obligation as our Service Provider in respect of our standard Warranty Terms we would continue to meet our Warranty Terms through alternate arrangements.

We also confirm that _____ is our authorized service provider/system integrator and can hence provide maintenance and upgrade support for our products.

We also confirm that the products quoted are on our current product list and are not likely to be discontinued with in from the day of this letter. We assure availability of spares for the products for the next two years after warranty period.

We also confirm that the material will be delivered within 60 days from the date of placement of confirmed order.

Name _____ In the capacity of _____

Signed _____

Duly authorized to sign the authorization for and on behalf of _____

Dated on _____ day of _____

Note: This letter of authority must be on the letterhead of the Manufacturer and duly signed by an authorized signatory.

WEBEL TECHNOLOGY LIMITED

SECTION – Q

PROFORMA FOR PERFORMANCE BANK GUARANTEE

(On non-judicial stamp paper of appropriate value to be purchased in the name of executing Bank)

PROFORMA OF BANK GUARANTEE FOR SECURITY DEPOSIT –CUM-PERFORMANCE GUARANTEE

Ref Bank Guarantee no.....

Date.....

PROFORMA OF BG FOR SECURITY DEPOSIT

KNOW ALL MEN BY THESE PRESENTS that in consideration of WEBEL TECHNOLOGY LIMITED, a Government of West Bengal Undertaking incorporated under the Companies Act, 1956 having its Registered office at Webel Bhavan, Block EP&GP, Sector V, Kolkata-700 091 (hereinafter called "The Purchaser") having agreed to accept from _____ (hereinafter called "The Contractor") Having its Head Office at _____, a Bank guarantee for Rs. _____ in lieu of Cash Security Deposit for the due fulfillment by the Contractor of the terms & conditions of the Work Order No. _____ dated _____ issued by the Purchaser for _____ (hereinafter called "the said work order _____ dated _____)". We _____ (Name & detailed address of the branch) (hereinafter called "the Guarantor") do hereby undertake to indemnify and keep indemnified the Purchaser to the extent of Rs. _____ (Rupees _____) only against any loss or damage caused to or suffered by the Purchaser by reason of any breach by the Contractor of any of the terms and conditions contained in the said Work Order No. _____ dated _____ of which breach the opinion of the Purchaser shall be final and conclusive.

(2) AND WE, _____ DO HEREBY Guarantee and undertake to pay forthwith on demand to the Purchaser such sum not exceeding the said sum of _____ Rupees _____) only as may be specified in such demand, in the event of the Contractor failing or neglecting to execute fully efficiently and satisfactorily the order for _____ Work Order no. _____, dated _____

(3) WE _____ further agree that the guarantee herein contained shall remain in full force and effect during the period that would be taken for the performance of the said order as laid down in the said Work Order No. _____ dated _____ including the warranty obligations and that it shall continue to be enforceable till all the dues of the Purchaser under or by virtue of the said Work Order No. _____ dated _____ have been fully paid and its claims satisfied or is charged or till the Purchaser or its authorized representative certified that the terms and conditions of the said Work Order No. _____ dated _____ have been fully and properly carried out by the said contractor and accordingly discharged the guarantee.

(4) We _____ the Guarantor undertake to extend the validity of Bank Guarantee at the request of the contractor for further period of periods from time to time beyond its present validity period failing which we shall pay the Purchaser the amount of Guarantee.

(5) The liability under the Guarantee is restricted to Rs. _____ (Rupees _____) only and will expire on _____ and unless a claim in writing is presented to us or an action or suit to enforce the claim is filled against us within 6 months from _____ all your rights will be forfeited and we shall be relieved of and discharged from all our liabilities (thereinafter)

(6) The Guarantee herein contained shall not be determined or affected by liquidation or winding up or insolvency or closer of the Contractor.

WEBEL TECHNOLOGY LIMITED

(7) The executants has the power to issue this guarantee on behalf of Guarantor and holds full and valid power of Attorney granted in his favour by the Guarantor authorizing him to execute the Guarantee.

(8) Notwithstanding anything contained herein above, our liability under this guarantee is restricted to Rs. _____ (Rupees _____) only and our guarantee shall remain in force up to _____ and unless a demand or claim under the guarantee is made on us in writing on or before _____ all your rights under the guarantee shall be forfeited and we shall be relieved and discharged from all liabilities there under.

WE, _____ lastly undertake not to revoke this guarantee during the currency except with the previous consent of the Purchaser in writing. In witness whereof we _____ have set and subscribed our hand on this _____ day of _____.

SIGNED, SEALED AND DELIVERED

(Stamp of the executants)

WITNESS

1) _____

2) _____

(Name & address in full with Rubber Stamp)

WEBEL TECHNOLOGY LIMITED

INSTRUCTIONS FOR FURNISHING BANK GUARANTEE

1. Bank Guarantee (B.G.) for Advance payment, Mobilization Advance, B.G. for security Deposit-cum-Performance Guarantee, Earnest Money should be executed on the Non- Judicial Stamp paper of the applicable value and to be purchased in the name of the Bank.
2. The Executor (Bank authorities) may mention the Power of Attorney No. and date of execution in his/her favour with authorization to sign the documents. The Power of Attorney is to be witnessed by two persons mentioning their full name and address.
3. The B.G. should be executed by a Nationalised Bank/ Scheduled Commercial Bank preferably on a branch located in Kolkata. B.G. from Co-operative Bank / Rural Banks is not acceptable.
4. A Confirmation Letter of the concerned Bank must be furnished as a proof of genuineness of the Guarantee issued by them.
5. Any B.G. if executed on Non-Judicial Stamp paper after 6 (six) months of the purchase of such stamp shall be treated as Non-valid.
6. Each page of the B.G. must bear signature and seal of the Bank and B.G. Number.
7. The content of the B.G. shall be strictly as Proforma prescribed by WTL in line with Purchase Order /LOI/ Work Order etc. and must contain all factual details.
8. Any correction, deletion etc. in the B.G. should be authenticated by the Bank Officials signing the B.G.
9. In case of extension of a Contract the validity of the B.G. must be extended accordingly.
10. B.G. must be furnished within the stipulated period as mentioned in Purchase Order / LOI / Work Order etc.
11. Issuing Bank / The Bidder are requested to mention the Purchase Order / Contract / Work Order reference along with the B.G. No. For making any future queries to WTL.

WEBEL TECHNOLOGY LIMITED

SECTION – R

NIT DECLARATION

(Bidders are requested to furnish the Format given in this section, filling the entire Blank and to be submitted on Bidder's Letter Head)

To
Webel Technology Limited
Plot – 5, Block – BP, Sector -
V, Salt Lake City,
Kolkata – 700091.

Sub: Implementation of WBSWAN connectivity at 65 Government Departments for implementation of e-office in West Bengal.

Dear Sir,

We the undersigned bidder/(s) declare that we have read and examined in details the specifications and other documents of the subject tender no. WTL/PAR/SWAN/17-18/025 dated 26.10.2017 for Implementation of WBSWAN connectivity at 65 Government Departments for implementation of e-office in West Bengal published by Webel Technology Limited in e-Tender website.

We further declare that we have agreed and accepted all the clauses / sub-clauses / formats / terms & conditions other requirements related to the said tender and we will abide by the same as mentioned in the tender document while participating and executing the said tender.

Thanking you, we remain

Yours faithfully

.....
Signature

.....
Name in full

.....
Designation

.....
Company Stamp

Dated, thisday of2017